

**effe**

PERFECT WELLNESS



# STEAM

PRICE LIST  
2025



Via Gallo, 769  
47522 Cesena (FC)  
Italy

+39 0547 372881

info@effegibi.it  
www.efe.it

EN\_LS 00 00 0192

## **STEAM**

**Elements to build your own Steam shower**

### **Steam generators:**

- 6 Touch&Steam Smart
- 10 Easystem Smart
- 16 Inside
- 20 Nuvola Smart

### **Doors and glass panels**

- 44 Adapta
- 48 Spazioslide
- 50 Spaziofilo
- 54 Spazio
- 56 Tuttovetro Inside
- 61 Tuttovetro Contour

### **Insulation**

- 63 Insulation kit 01-02-03

### **Fittings**

- 66 Seat Mini
- 67 Bench Topkapi
- 68 Bench ready for the covering of choice

### **Accessories**

- 73 Kneipp Shower Hose

- 77 General Terms and Condition of Sale



**Steam generators**

# Touch&Steam Smart

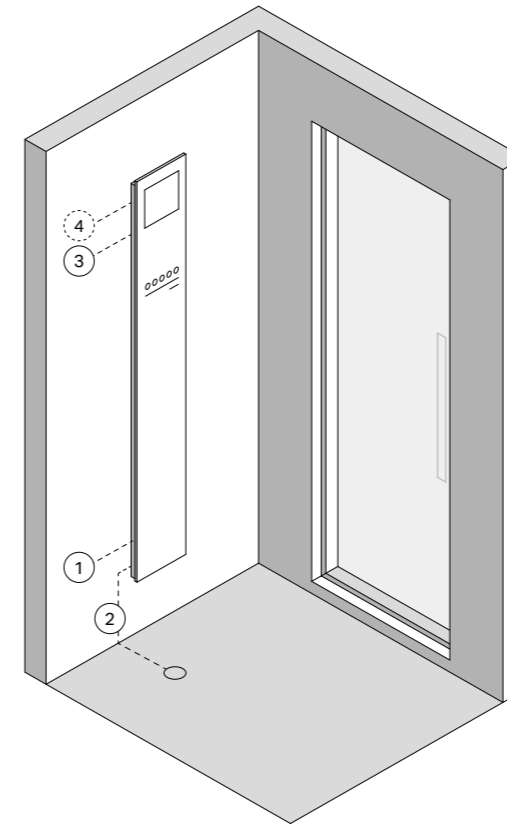


8 **Touch&Steam Smart**

|    | m <sup>3</sup> | kW  |
|----|----------------|-----|
| 45 | 3,5 - 4,5      | 4,5 |
| 60 | 4,5 - 6,2      | 6   |
| 90 | 6,2 - 9,2      | 9   |

## Technical information

More information: [www.effe.it](http://www.effe.it)



- ① **Water inlet**
- ② **Water outlet**
- ③ **Electric power supply**
- ④ **Options connection**

All work must be carried out by qualified personnel or by one of our Service Centres, based on local and international standards – CEI 64.8 (IEC 364 – 1). Make sure that the electric and plumbing connections for the steam generator have been correctly set up (water line with closing gate valve, outlet siphon, power line with suitable magnetothermal residual current device, etc.) according to the related technical specifications. Connect all piping in such a way that it may be disconnected (in the event of removal of the generator for maintenance). Use brass or copper piping only. Do not use galvanised or black PVC piping.

Create a space of 400mm x 1740 mm, for installation of the Touch&Steam Smart device.

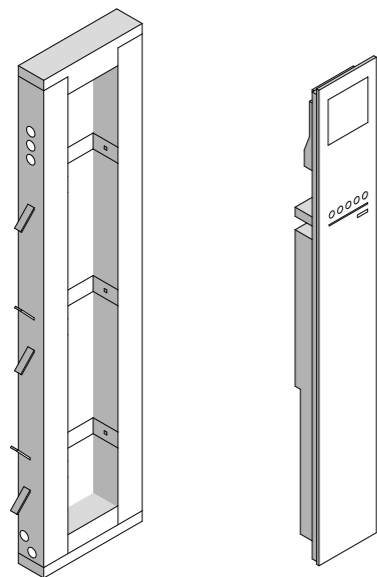
- ① **Water inlet:** set up the piping mounted flush with the casing with a 1/2" female thread. Hook up only cold water (max 25°C). Inlet water pressure must not exceed 8 bar (800 kPa). For best operation, water pressure should be max. 1.5 ÷ 2 bar (150 ÷ 200 kPa).  
**CAUTION:** if the water is medium hard or hard, it is recommended to install a softener upstream of the generator. Otherwise, the generator boiler may be subject to significant wear and tear.
- ② **Water outlet:** set up 1/2" female, heat resistant (up to 70°C) siphoned piping mounted flush with the casing. The outlet pipe must ensure correct water outflow, therefore, a downward slope of at least 5° is recommended.
- ③ **Sheath Ø 25 for the electric power supply:** set up a power cable of suitable cross-section.
- ④ **Sheath Ø 25 for connecting the options.**



CERTIFIED PRODUCT



# TOUCH&STEAM SMART

[Technical card download](#)


## DIMENSIONS

cm 23 x 3,7 x 165 h

## COUNTERBOX DIMENSIONS

cm 40 x 10 x 173 h  
with Schlüter waterproofing mat

## MATERIALS

Screen-printed tempered glass panel  
Painted aluminium RAL 9003

## BUILT IN STEAM GENERATOR

Features:

- > automatic boiler cleaning system
- > water flow rate control system
- > automatic water drainage system
- > Automatic energy-saving function

## TOUCH-SCREEN CONTROL PANEL

With backlit icons and temperature gauge

## POWER STEAM FUNCTION

Steam diffusion and forced ventilation heating system

## CONTAINERS FOR ESSENTIAL OILS

## VIRTUAL DOOR-OPEN SENSOR

The generator automatically interrupts steam distribution when the door is left open for a long time.

## LIGHTING SYSTEM WITH LED RGB COLOUR THERAPY

5 fixed colours, 4 dynamic cycles and white light

## ASPIRATION FUNCTION

## HEATED BENCH FUNCTION

### TOUCH&STEAM SMART 45

Space volume (cubic metres): 3,5 - 4,5 in insulated space with the use of 3 cm thick insulation panels  
Power: 4,5 kW max - 230Vac 1N 50-60Hz - 400Vac 3N 50-60Hz  
Steam generation: 6,6 Kg/h max

|                    |               |                    |
|--------------------|---------------|--------------------|
| Counterbox         | CH 90 00 0214 | € 915,00           |
| Touch&Steam 45     | HA CM TS 0037 | € 12.895,00        |
| <b>Total Price</b> |               | <b>€ 13.810,00</b> |

### TOUCH&STEAM SMART 60

Space volume (cubic metres): 4,5 - 6,2 in insulated space with the use of 3 cm thick insulation panels  
Power: 6,0 kW max - 230Vac 1N 50-60Hz - 400Vac 3N 50-60Hz  
Steam generation: 8,9 Kg/h max

|                    |               |                    |
|--------------------|---------------|--------------------|
| Counterbox         | CH 90 00 0214 | € 915,00           |
| Touch&Steam 60     | HA CM TS 0038 | € 13.360,00        |
| <b>Total Price</b> |               | <b>€ 14.275,00</b> |

### TOUCH&STEAM SMART 90

Space volume (cubic metres): 6,2 - 9,2 in insulated space with the use of 3 cm thick insulation panels  
Power: 9,0 kW max - 230Vac 1N 50-60Hz - 400Vac 3N 50-60Hz  
Steam generation: 13,1 Kg/h max

|                    |               |                    |
|--------------------|---------------|--------------------|
| Counterbox         | CH 90 00 0214 | € 915,00           |
| Touch&Steam 90     | HA CM TS 0039 | € 13.890,00        |
| <b>Total Price</b> |               | <b>€ 14.805,00</b> |

## ECC 5.0 - Effe Comfort Control

This system is incorporated into every Effe steam generator so that the turkish bath can be remotely controlled, just download the app "MY EFFE" to your tablet or smartphone.

[More information](#)

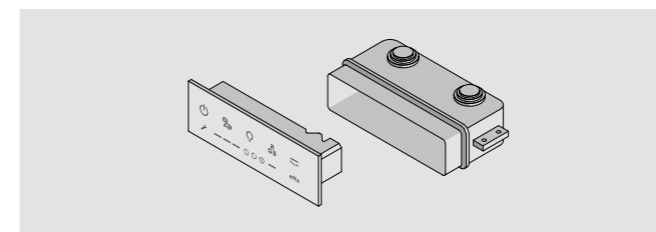
## ESS - Effe Sound System

You can listen to your favourite music inside the Hammam using a Bluetooth connection and your own device. The speakers are built into the Hammam.

[More information](#)

# Options

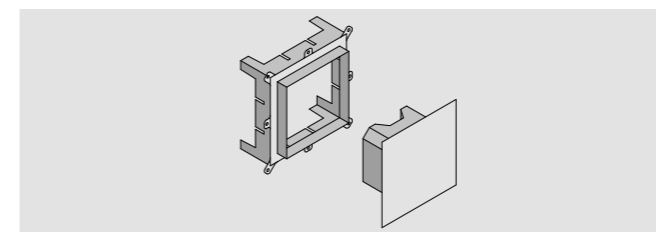
NOTE: TOUCH&STEAM SUPPORTS A MAXIMUM OF 1 LIGHT FIXTURE, TO BE SELECTED FROM EITHER RGB COLOUR THERAPY FIXTURES OR WHITE LED FIXTURES.



## Remote touch-screen control panel

Control panel dimensions: cm 16,5 x 5  
Mounting box dimensions: cm 16 x 7 x 4,5 h  
with Schlüter waterproofing mat

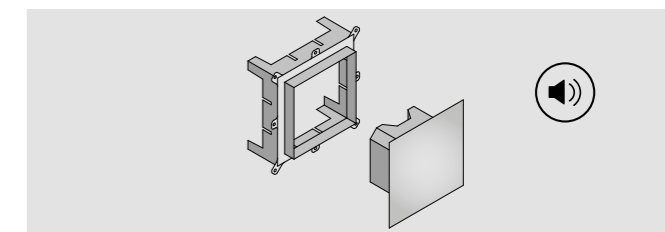
|                                   |               |                 |
|-----------------------------------|---------------|-----------------|
| Counterbox                        | CH 90 00 0182 | € 32,00         |
| Remote touch-screen control panel | ME 60 00 0042 | € 605,00        |
| <b>Total Price</b>                |               | <b>€ 637,00</b> |



## White light fixture

Light fixture dimensions: cm 20 x 20 x 2  
Mounting box dimensions: cm 20,5 x 20,5 x 10,6 h  
with Schlüter waterproofing mat IP X5 clas. 3000 K.

|                     |               |                 |
|---------------------|---------------|-----------------|
| Counterbox          | CH 90 00 0174 | € 73,00         |
| White light fixture | HA 70 00 0009 | € 655,00        |
| <b>Total Price</b>  |               | <b>€ 728,00</b> |



## Ceiling light fixture with colour therapy, white light and passive loudspeakers

Light fixture dimensions: cm 20 x 20 x 2  
Mounting box dimensions: cm 20,5 x 20,5 x 10,6 h  
with Schlüter waterproofing mat.

IP X5 class - Built-in loudspeakers, each 2W - 8 Ohm

[More information](#)

|                                 |               |                   |
|---------------------------------|---------------|-------------------|
| Counterbox                      | CH 90 00 0174 | € 73,00           |
| Colour therapy and loudspeakers | HA 70 10 0005 | € 1.300,00        |
| <b>Total Price</b>              |               | <b>€ 1.373,00</b> |



## Home-Automation Device

Enables the product to be connected to and integrated with home-automation systems (power pack included).

|                        |               |          |
|------------------------|---------------|----------|
| Home-Automation Device | ME 99 00 0421 | € 775,00 |
|------------------------|---------------|----------|

# Easystem Smart

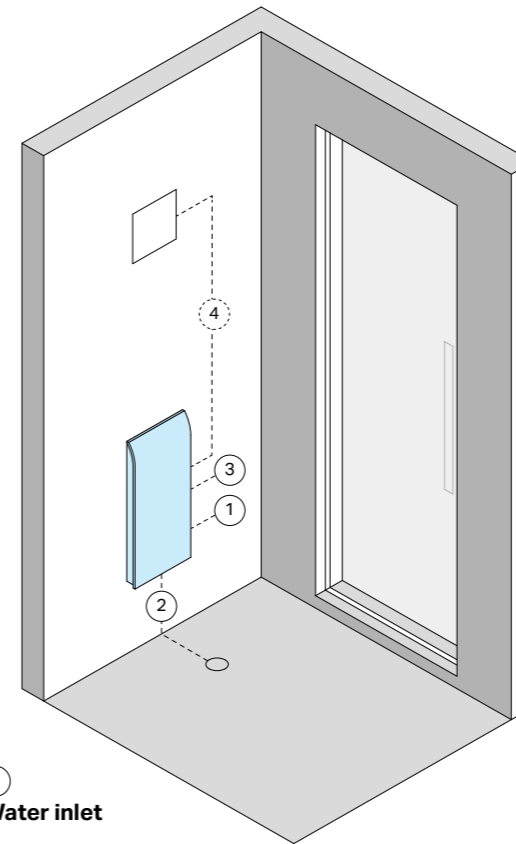


12 **Easystem Smart**

|    | m <sup>3</sup> | kW  |
|----|----------------|-----|
| 30 | 0 - 3,5        | 3   |
| 45 | 3,5 - 4,5      | 4,5 |
| 60 | 4,5 - 6,2      | 6   |

## Technical information

More information: [www.effe.it](http://www.effe.it)



- ① **Water inlet**
- ② **Water outlet**
- ③ **Electric power supply**
- ④ **Options connection**

All work must be carried out by qualified personnel or by one of our Service Centres, based on local and international standards – CEI 64.8 (IEC 364 – 1). Make sure that the electric and plumbing connections for the steam generator have been correctly set up (water line with closing gate valve, outlet siphon, power line with suitable magnetothermal residual current device, etc.) according to the related technical specifications. Connect all piping in such a way that it may be disconnected (in the event of removal of the generator for maintenance). Use brass or copper piping only. Do not use galvanised or black PVC piping.  
A space of 380 mm x 545 mm and at least 78 mm deep must be available to house the Easystem Smart device.

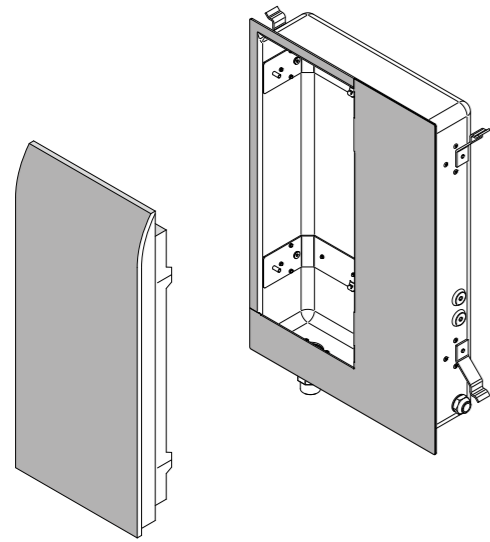
- ① **Water inlet:** set up the piping mounted flush with the casing with a 1/2" female thread. Hook up only cold water (max 25°C). Inlet water pressure must not exceed 8 bar (800 kPa). For best operation, water pressure should be max. 1.5 ÷ 2 bar (150 ÷ 200kPa). CAUTION: if the water is medium hard or hard, it is recommended to install a softener upstream of the generator. Otherwise, the generator boiler may be subject to significant wear and tear.
- ② **Water outlet:** set up 1/2" female, heat resistant (up to 70°C) siphoned piping mounted flush with the casing. The outlet pipe must ensure correct water outflow, therefore, a downward slope of at least 5° is recommended.
- ③ **Sheath Ø 25 for the electric power supply:** set up a power cable of suitable cross-section.
- ④ **Sheath Ø 25 for connecting the options.**

CERTIFIED PRODUCT



# EASYSTEAM SMART

[Technical card download](#)



## EASYSTEAM SMART 30

Space volume (cubic metres): 0 - 3,5 in insulated space with the use of 3 cm thick insulation panels  
 Power: 3,0 kW max - 230Vac 1N 50-60Hz - 400Vac 3N 50-60Hz  
 Steam generation: 4,4 Kg/h max

|                    |               |                   |
|--------------------|---------------|-------------------|
| Counterbox         | CH 90 00 0198 | € 430,00          |
| Easystem Smart 30  | HA CM ES 0013 | € 6.085,00        |
| <b>Total Price</b> |               | <b>€ 6.515,00</b> |

## EASYSTEAM SMART 45

Space volume (cubic metres): 3,5 - 4,5 in insulated space with the use of 3 cm thick insulation panels  
 Power: 4,5 kW max - 230Vac 1N 50-60Hz - 400Vac 3N 50-60Hz  
 Steam generation: 6,6 Kg/h max

|                    |               |                   |
|--------------------|---------------|-------------------|
| Counterbox         | CH 90 00 0198 | € 430,00          |
| Easystem Smart 45  | HA CM ES 0014 | € 6.085,00        |
| <b>Total Price</b> |               | <b>€ 6.515,00</b> |

**DIMENSIONS**  
 cm 25 x 3,7 x 57 h

**COUNTERBOX DIMENSIONS**  
 cm 42 x 11 x 64 h  
 with Schlüter waterproofing mat

**MATERIALS**  
 Curved silk-screen printed glass panel  
 Painted aluminium RAL 9003

**BUILT IN STEAM GENERATOR**  
 Features:  
 > automatic boiler cleaning system  
 > water flow rate control system  
 > automatic water drainage system  
 > Automatic energy-saving function

**TOUCH-SCREEN CONTROL PANEL**  
 with backlit icons and temperature gauge

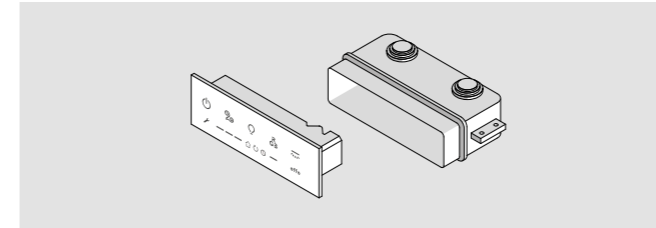
**POWER STEAM FUNCTION**  
 Steam diffusion and forced ventilation heating system

**CONTAINERS FOR ESSENTIAL OILS**

**ECC 5.0 - Effe Comfort Control**  
 This system is incorporated into steam generator so that the Turkish bath can be remotely controlled. Just download the app "MY EFFE" to your Tablet or Smartphone.  
[More information](#)

# Options

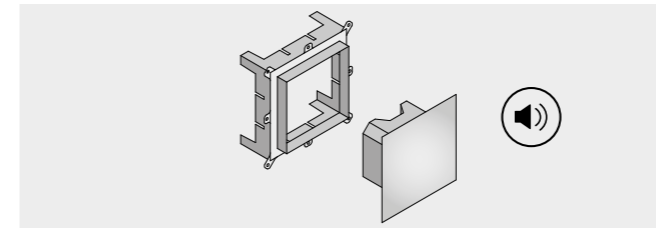
NOTE: EASYSTEAM SMART CAN POWER ONLY 1 OPTIONAL CEILING LIGHT FITTING OF YOUR CHOICE FROM THE ESS - EFFE SOUND SYSTEM, COLOUR THERAPY AND WHITE LIGHT OPTIONS



## Remote touch-screen control panel

Control panel dimensions: cm 18 x 6  
 Mounting box dimensions: cm 19 x 8 x 4,3 h  
 with Schlüter waterproofing mat

|                                   |               |                 |
|-----------------------------------|---------------|-----------------|
| Counterbox                        | CH 90 00 0182 | € 32,00         |
| Remote touch-screen control panel | ME 60 00 0042 | € 605,00        |
| <b>Total Price</b>                |               | <b>€ 637,00</b> |



## Ceiling light fixture with colour therapy, white light and passive loudspeakers

Light fixture dimensions: cm 20 x 20 x 2  
 Mounting box dimensions: cm 20,5 x 20,5 x 10,6 h  
 with Schlüter waterproofing mat  
 IP X5 class - Built-in loudspeakers, each 2W - 8 Ohm. 3.000 K  
[More information](#)

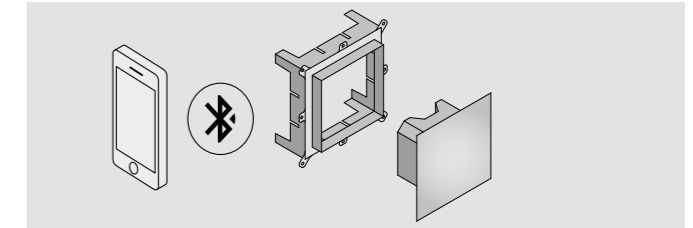
|                                 |               |                   |
|---------------------------------|---------------|-------------------|
| Counterbox                      | CH 90 00 0174 | € 73,00           |
| Colour therapy and loudspeakers | HA 70 10 0005 | € 1.300,00        |
| <b>Total Price</b>              |               | <b>€ 1.373,00</b> |



## Home-Automation Device

Enables the product to be connected to and integrated with home-automation systems (power pack included).

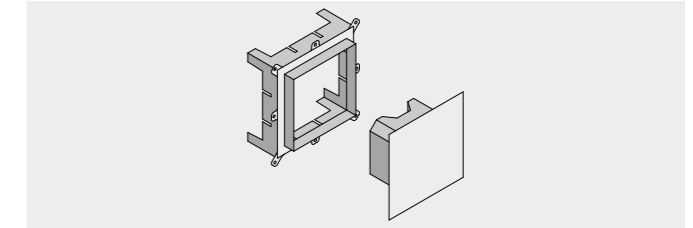
|                        |               |          |
|------------------------|---------------|----------|
| Home-Automation Device | ME 99 00 0421 | € 775,00 |
|------------------------|---------------|----------|



## ESS - Effe Sound System

**Kit with colour therapy, white light and Bluetooth speakers**  
 Light fixture dimensions: cm 20 x 20 x 2  
 Mounting box dimensions: cm 20,5 x 20,5 x 10,6 h  
 with Schlüter waterproofing mat  
 IP X5 class - Built-in loudspeakers, each 2W - 8 Ohm  
[More information](#)

|                                    |               |                   |
|------------------------------------|---------------|-------------------|
| Counterbox                         | CH 90 00 0174 | € 73,00           |
| ESS kit with ceiling light fitting | HA 70 10 0008 | € 1.815,00        |
| <b>Total Price</b>                 |               | <b>€ 1.888,00</b> |



## White light fixture

Light fixture dimensions: cm 20 x 20 x 2  
 Mounting box dimensions: cm 20,5 x 20,5 x 10,6 h  
 with Schlüter waterproofing mat. 3.000 K  
 IP X5 class

|                     |               |                 |
|---------------------|---------------|-----------------|
| Counterbox          | CH 90 00 0174 | € 73,00         |
| White light fixture | HA 70 00 0009 | € 655,00        |
| <b>Total Price</b>  |               | <b>€ 728,00</b> |

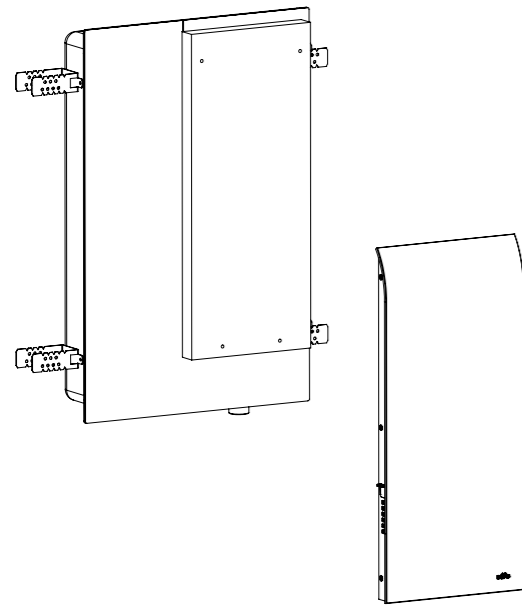
# EASYSTEAM SMART

[Technical card download](#)

## EASYSTEAM SMART 60

Space volume (cubic metres): 4,5 - 6,2 in insulated space with the use of 3 cm thick insulation panels  
 Power: 6,0 kW max - 230Vac 1N 50-60Hz - 400Vac 3N 50-60Hz  
 Steam generation: 8,9 Kg/h max

|                   |               |            |
|-------------------|---------------|------------|
| Easystem Smart 60 | HA CM ES 0018 | € 6.850,00 |
|-------------------|---------------|------------|



**DIMENSIONS**  
 cm 25 x 3,7 x 57 h

**MATERIALS**  
 Curved silk-screen printed glass panel  
 Painted aluminium RAL 9003

**BUILT IN STEAM GENERATOR**  
 Features:  
 > automatic boiler cleaning system  
 > water flow rate control system  
 > automatic water drainage system  
 > Automatic energy-saving function

**TOUCH-SCREEN CONTROL PANEL**  
 with backlit icons and temperature gauge

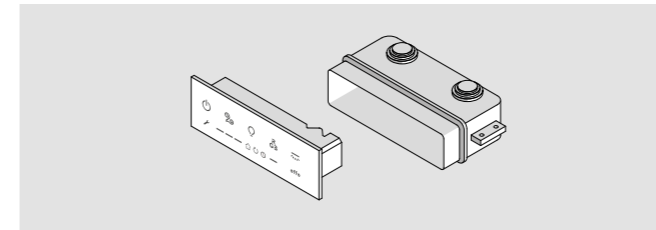
**POWER STEAM FUNCTION**  
 Steam diffusion and forced ventilation heating system

**CONTAINERS FOR ESSENTIAL OILS**

**ECC 5.0 - Effe Comfort Control**  
 This system is incorporated into steam generator so that the Turkish bath can be remotely controlled. Just download the app "MY EFFE" to your Tablet or Smartphone.  
[More information](#)

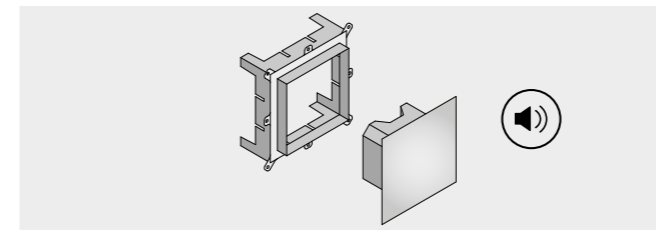
# Options

NOTE: EASYSTEAM SMART CAN POWER ONLY 1 OPTIONAL CEILING LIGHT FITTING OF YOUR CHOICE FROM THE ESS - EFFE SOUND SYSTEM, COLOUR THERAPY AND WHITE LIGHT OPTIONS



**Remote touch-screen control panel**  
 Control panel dimensions: cm 18 x 6  
 Mounting box dimensions: cm 19 x 8 x 4,3 h  
 with Schlüter waterproofing mat

|                                   |               |                 |
|-----------------------------------|---------------|-----------------|
| Counterbox                        | CH 90 00 0182 | € 32,00         |
| Remote touch-screen control panel | ME 60 00 0042 | € 605,00        |
| <b>Total Price</b>                |               | <b>€ 637,00</b> |



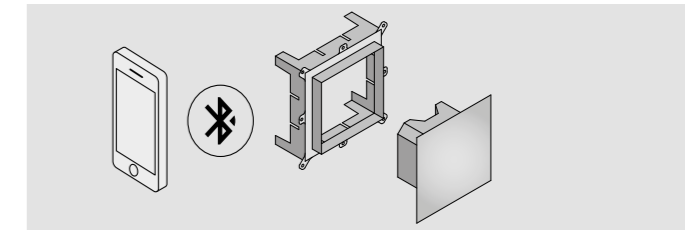
**Ceiling light fixture with colour therapy, white light and passive loudspeakers**  
 Light fixture dimensions: cm 20 x 20 x 2  
 Mounting box dimensions: cm 20,5 x 20,5 x 10,6 h  
 with Schlüter waterproofing mat. 3.000 K  
 IP X5 class - Built-in loudspeakers, each 2W - 8 Ohm  
[More information](#)

|                                 |               |                   |
|---------------------------------|---------------|-------------------|
| Counterbox                      | CH 90 00 0174 | € 73,00           |
| Colour therapy and loudspeakers | HA 70 10 0005 | € 1.300,00        |
| <b>Total Price</b>              |               | <b>€ 1.373,00</b> |



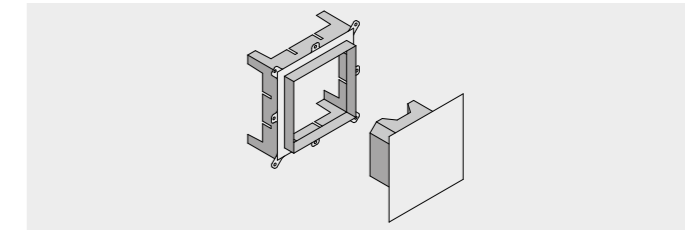
**Home-Automation Device**  
 Enables the product to be connected to and integrated with home-automation systems (power pack included).

|                        |               |          |
|------------------------|---------------|----------|
| Home-Automation Device | ME 99 00 0421 | € 775,00 |
|------------------------|---------------|----------|



**ESS - Effe Sound System**  
**Kit with colour therapy, white light and Bluetooth speakers**  
 Light fixture dimensions: cm 20 x 20 x 2  
 Mounting box dimensions: cm 20,5 x 20,5 x 10,6 h  
 with Schlüter waterproofing mat  
 IP X5 class - Built-in loudspeakers, each 2W - 8 Ohm  
[More information](#)

|                                    |               |                   |
|------------------------------------|---------------|-------------------|
| Counterbox                         | CH 90 00 0174 | € 73,00           |
| ESS kit with ceiling light fitting | HA 70 10 0008 | € 1.815,00        |
| <b>Total Price</b>                 |               | <b>€ 1.888,00</b> |



**White light fixture**  
 Light fixture dimensions: cm 20 x 20 x 2  
 Mounting box dimensions: cm 20,5 x 20,5 x 10,6 h  
 with Schlüter waterproofing mat. 3.000 K  
 IP X5 class

|                     |               |                 |
|---------------------|---------------|-----------------|
| Counterbox          | CH 90 00 0174 | € 73,00         |
| White light fixture | HA 70 00 0009 | € 655,00        |
| <b>Total Price</b>  |               | <b>€ 728,00</b> |

# Inside Glass • Inside Camouflage

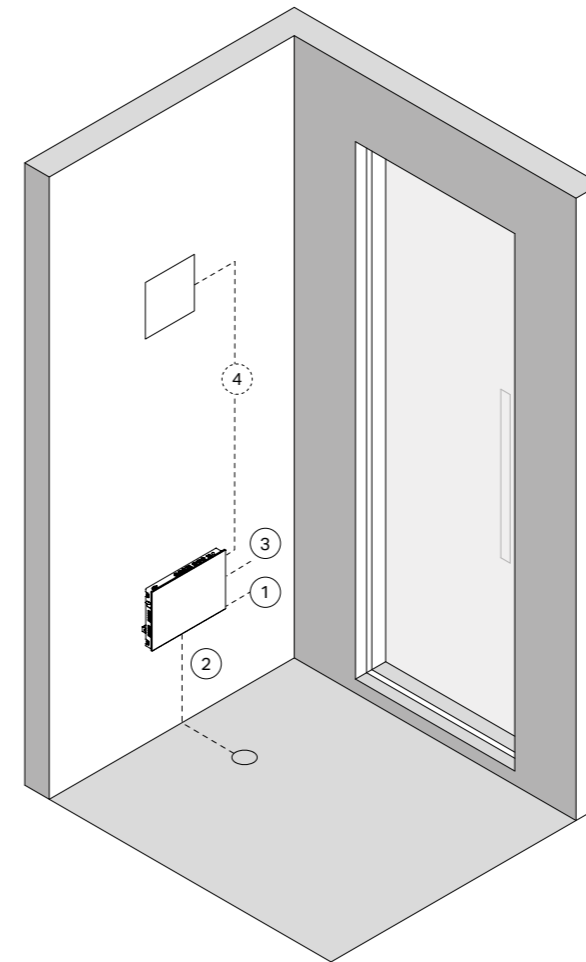


18 **Inside Glass**  
**Inside Camouflage**

|    | m <sup>3</sup> | kW  |
|----|----------------|-----|
| 30 | 0 - 3,5        | 3   |
| 45 | 3,5 - 4,5      | 4,5 |
| 60 | 4,5 - 6,2      | 6   |

## Technical information

More information: [www.effe.it](http://www.effe.it)



- ① Water inlet
- ② Water outlet
- ③ Electric power supply

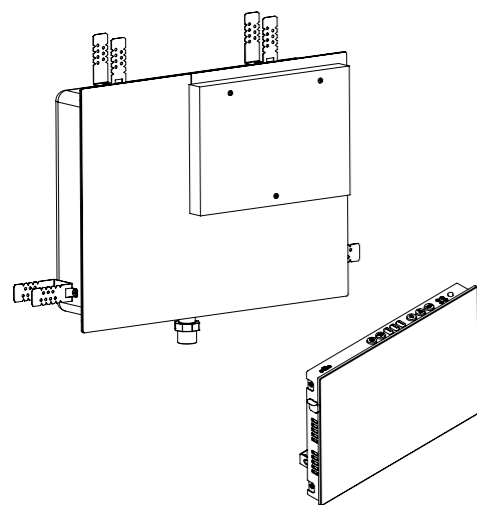
All work must be carried out by qualified personnel or by one of our Service Centres, depending on local and international regulations – CEI 64.8 (IEC 364 – 1). Make sure the electric and plumbing connections for the systems have been correctly set up in compliance with local and international standards (water line with closing gate valve, outlet siphon, power line with suitable magnetothermic + residual-current circuit breaker, etc.) according to the related technical specifications. Connect all piping in such a way that it may be disconnected (in the event the device needs to be removed for maintenance). Use brass or copper piping only. Do not use galvanised or black PVC piping. Prepare a space that is 400 mm x 540 mm and at least 80 mm deep to house the Inside device.

- ① Water inlet: set up the piping mounted flush with the casing with a 1/2" female thread. Hook up only cold water (max 25°C). Inlet water pressure must not exceed 8 bar (800 kPa). For best operation, water pressure should be max. 1.5 ÷ 2 bar (150 ÷ 200kPa). CAUTION: if the water is medium hard or hard, it is recommended to install a softener upstream of the generator. Otherwise, the generator boiler may be subject to significant wear and tear.
- ② Water outlet: set up 1/2" female, heat resistant (up to 70°C) siphoned piping mounted flush with the casing. The outlet pipe must ensure correct water outflow, therefore, a downward slope of at least 5° is recommended.
- ③ Sheath Ø 25 for the electric power supply: set up a power cable of suitable cross-section.
- ④ Sheath Ø 25 for connecting the options.

CERTIFIED PRODUCT



# INSIDE



## INSIDE 30

[Technical card download](#)

Space volume (cubic metres): 0 - 3,5 insulated space with the use of 3 cm thick insulation panels.

Power: 3,0 kW max - 2220-240Vac 1N 50-60Hz - 380-415Vac 3N 50-60Hz. Steam generation: 4,4 Kg/h max.

|                   |               |            |
|-------------------|---------------|------------|
| Inside GLASS      | HA IN 01 0001 | € 5.125,00 |
| Inside CAMOUFLAGE | HA IN 02 0001 | € 4.880,00 |

## INSIDE 45

Space volume (cubic metres): 3,5 - 4,5 insulated space with the use of 3 cm thick insulation panels.

Power: 4,5 kW max - 220-240Vac 1N 50-60Hz - 380-415Vac 3N 50-60Hz. Steam generation: 6,6 Kg/h max.

|                   |               |            |
|-------------------|---------------|------------|
| Inside GLASS      | HA IN 01 0002 | € 5.125,00 |
| Inside CAMOUFLAGE | HA IN 02 0002 | € 4.880,00 |

## INSIDE 60

[Technical card download](#)

Space volume (cubic metres): 4,5 - 6,2 in insulated space with the use of 3 cm thick insulation panels

Power: 6,0 kW max - 230Vac 1N 50-60Hz - 400Vac 3N 50-60Hz  
Steam generation: 8,9 Kg/h max

|                   |               |            |
|-------------------|---------------|------------|
| Inside GLASS      | HA IN 01 0007 | € 5.675,00 |
| Inside CAMOUFLAGE | HA IN 02 0007 | € 5.450,00 |

### DIMENSIONS

cm 36 x 8,45 x 25 h

### COUNTERBOX DIMENSIONS

cm 56 x 11,2 x 38 h  
with waterproofing mat

### MATERIALS

- > Curved silk-screen printed glass panel (GLASS)
- > Stainless steel with satin finish, max thickness of cladding, including adhesive, 13 mm (CAMOUFLAGE)

### BUILT IN STEAM GENERATOR

Features:

- > automatic boiler cleaning system
- > water flow rate control system
- > automatic water drainage system
- > Automatic energy-saving function

### INTEGRATED CONTROL PANEL

With backlit icons and temperature gauge

### POWER STEAM FUNCTION

Steam diffusion and forced ventilation heating system

### CONTAINER FOR ESSENTIAL OILS

### BUILT-IN LED LIGHTING

Inside has RGB LED lighting for a complete colour therapy experience.

### VIRTUAL DOOR-OPEN SENSOR

The generator automatically interrupts steam distribution when the door is left open for a long time.

### DIY DESCALING

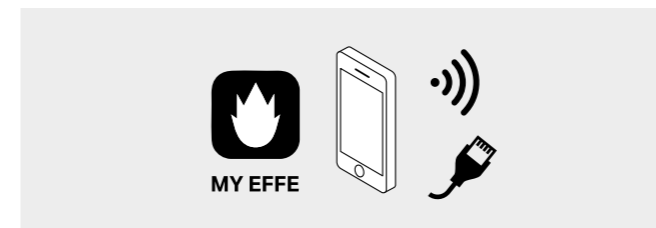
Descaling the boiler is the most frequent maintenance operation required by a steam generator. Inside is the first EFFE generator which can easily be descaled by the user. The generator signals when the boiler needs descaling and the user must then follow the instructions in the operating and installation manual. Descaling will prolong the life of the generator, with no external assistance required.

### ADDITIONAL CONTACT:

the product has an additional contact to operate eventual extractor fans.

# Options

NOTE: INSIDE CAN POWER ONLY 1 OPTIONAL ESS - EFFE SOUND SYSTEM CEILING LIGHT FITTING.

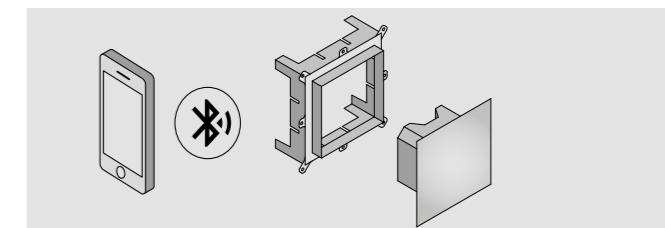


### ECC 5.0 - Effe Comfort Control

The product can be remotely controlled by downloading the "MY EFFE" app onto a smartphone or tablet.

[More information](#)

|                            |               |          |
|----------------------------|---------------|----------|
| ECC - Effe Comfort Control | ME 21 00 0116 | € 750,00 |
|----------------------------|---------------|----------|



### ESS - Effe Sound System

**Kit with colour therapy, white light and Bluetooth speakers**

Light fixture dimensions: cm 20 x 20 x 2

Mounting box dimensions: cm 20,5 x 20,5 x 10,6 h

with Schlüter waterproofing mat

IP X5 class - Built-in loudspeakers, each 2W - 8 Ohm. .

[More information](#)

|                                    |               |                   |
|------------------------------------|---------------|-------------------|
| Counterbox                         | CH 90 00 0174 | € 73,00           |
| ESS kit with ceiling light fitting | HA 70 10 0008 | € 1.815,00        |
| <b>Total Price</b>                 |               | <b>€ 1.888,00</b> |

# Nuvola Smart



22 **Nuvola Smart 30**  
0 - 3,5 m<sup>3</sup> | 3 kW

24 **Nuvola Smart 45**  
3,5 - 4,5 m<sup>3</sup> | 4,5 kW

26 **Nuvola Smart 55**  
4,5 - 5,5 m<sup>3</sup> | 5,5 kW

28 **Nuvola Smart 70**  
5,5 - 7,2 m<sup>3</sup> | 7 kW

30 **Nuvola Smart 90**  
7,2 - 9,2 m<sup>3</sup> | 9 kW

32 **Nuvola Smart 110**  
9,2 - 12 m<sup>3</sup> | 11 kW

34 **Nuvola Smart 140**  
12 - 15 m<sup>3</sup> | 14 kW

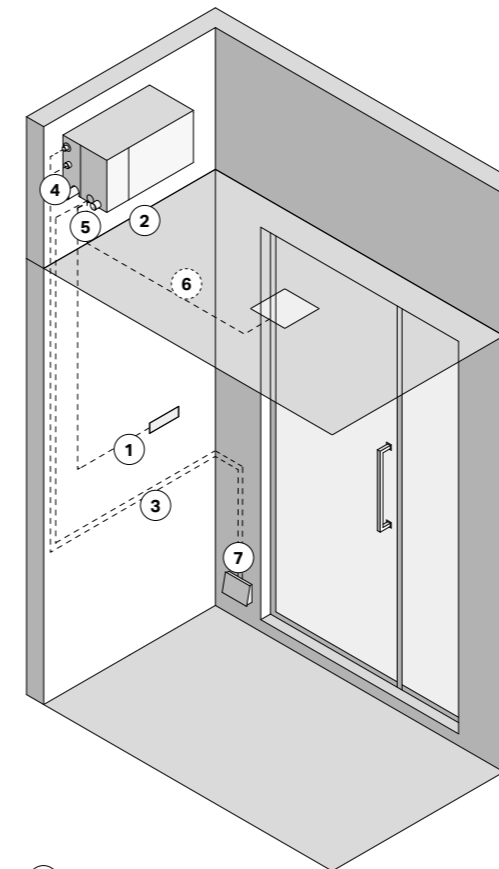
36 **Nuvola Smart 180**  
15 - 25 m<sup>3</sup> | 18 kW

38 **Nuvola Smart 250**  
25 - 35 m<sup>3</sup> | 25 kW

40 **Nuvola Smart 360**  
35 - 50 m<sup>3</sup> | 36 kW

## Technical information

More information: [www.effe.it](http://www.effe.it)



1 **Connection between Nuvola Smart and the control panel**

2 **Electric power supply**

3 **Steam piping**

4 **Water inlet**

5 **Water outlet**

6 **Options connection**

7 **PSF - Power Steam Function**

All work must be carried out by qualified personnel or by one of our Service Centres, based on local and international standards – CEI 64.8 (IEC 364 – 1). Make sure that the electric and plumbing connections for the steam generator have been correctly set up (water line with closing gate valve, outlet siphon, power line with suitable magnetothermal residual current device, etc.) according to the related technical specifications.

Connect all piping in such a way that it may be disconnected (in the event of removal of the generator for maintenance). Use brass or copper piping only. Do not use galvanised or black PVC piping.

1 Connection between Nuvola Smart and the control panel: Set up an electric sheath (Ø 25 mm) (max 5 m) to connect the steam generator to the control panel. The control panel will be placed inside the Turkish bath, at a height of about 1600 mm from the floor.

2 Electric power supply: set up a power cable of suitable cross-section.

3 A - Steam piping (max 5 m): Lay an insulated Ø 22mm copper pipe without creating siphons.  
B - Electric power supply steam diffuser: Prepare a Ø 25mm electric sheath (max 5m) for the steam diffuser connection.

4 Water inlet: Set up the piping mounted flush with the wall with a 1/2" female thread.  
Hook up only cold water (max 25°C). The incoming water pressure must be at least 0.2bar and not above 10bar. For best operation, water pressure should be max. 1.5 ÷ 2 bar (150 ÷ 200 kPa).

CAUTION: if the water is medium hard or hard, it is recommended to install a softener upstream of the generator. Otherwise, the generator boiler may be subject to significant wear and tear.

5 Water outlet: Lay a pre-siphoned heat resistant (up to 70 °C) piping with a diameter of 32mm. The entrance to the pipe must be below the water outlet of the steam generator. To guarantee correct water flow, we recommend the piping must have a downward slope of at least 5°.

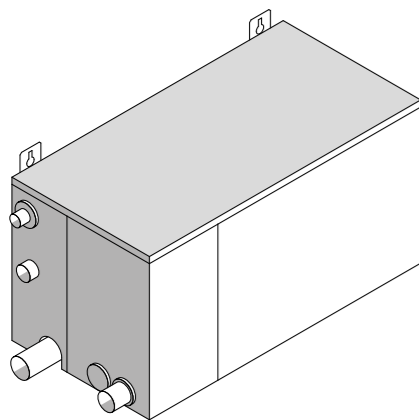
6 Sheath Ø 25 for connecting the options.

7 PSF - Power Steam Function: Innovative air ventilation system which reduces temperature stratification

CERTIFIED PRODUCT



# NUVOLA SMART 30



## STEAM GENERATOR

Dimensions: cm 52 x 26 x 27 h

Features:

- > RWF Regulating water flow - Can work on a wide range of water systems with different pressures
- > SWF Smart Water Filling - Optimised management of boiler filling
- > SBC Smart Boiler Cleaning - Dilution and intermediate rinsing processes not time controlled but based on real need
- > SEC Smart Energy Control - Evenly spaced on/off periods for the heating elements
- > ODS Open Door Sensor - Open Door Sensor
- > ECC 5.0 - Effe Comfort Control - This system is incorporated into every Effe steam generator so that the turkish bath can be remotely controlled, just download the app "MY EFFE" to your tablet or smartphone.
- > Diverter carrying water to the outlet

## REMOTE TOUCH-SCREEN CONTROL PANEL

Control panel dimensions: cm 18 x 6

Mounting box dimensions: cm 19 x 8 x 4,3 h with Schlüter waterproofing mat

Price for the replacement of the internal standard control panel with backlit icons and temperature gauge

## STEAM DIFFUSER SMART GLASS AND CAMOUFLAGE

Mounting box: cm 18 x 10 x 15,2 h

with Schlüter waterproofing mat

Diffuser: cm 18,2 x 4,5 x 12,3 h

Features:

- > GLASS: glass front
- > CAMOUFLAGE: custom clad front, max thickness of cladding, including adhesive, 13 mm
- > Adjustable flaps to control the outgoing steam direction
- > Cubicle air-recirculation system built into the water-resistant fan
- > Essential oils container
- > Steam output led light
- > Additional temperature probe inside the diffuser

## TRADITIONAL STEAM DIFFUSER

Ø 5 x 3.5 cm with built-in container for essential oils

## VIRTUAL DOOR-OPEN SENSOR

The generator automatically interrupts steam distribution when the door is left open for a long time.

TO RECEIVE THE COMPLETE SYSTEM YOU KINDLY  
NEED TO ORDER A+B+C

### A NUVOLA SMART 30

Space volume (cubic metres): 2,5 - 3,5 in insulated space with the use of 3 cm thick insulation panels

Power: 3 kW max - 230Vac 1N 50-60Hz - 400Vac 3N 50-60Hz

Steam generation: 4,4 Kg/h max

|                 |               |            |
|-----------------|---------------|------------|
| Nuvola Smart 30 | HA 50 50 0082 | € 3.610,00 |
|-----------------|---------------|------------|

### B CONTROL PANELS

Choose the counterbox and the control panel model



|  |               |          |
|--|---------------|----------|
| Panel counterbox                                     | CH 90 00 0182 | € 32,00  |
| Internal control panel                               | ME 60 00 0042 | € 605,00 |
| External control panel with remote temperature probe | ME 60 00 0049 | € 860,00 |

### C STEAM DIFFUSER

Choose the counterbox and steam diffuser model



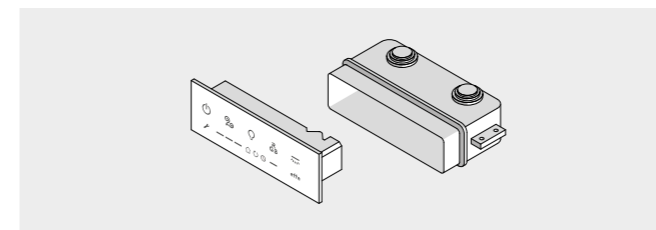
|                           | SMART GLASS<br>(glass) | SMART CAMOUFLAGE<br>(to be covered) |
|---------------------------|------------------------|-------------------------------------|
| Steam diffuser counterbox | CH 90 00 0187          | € 130,00                            |
| Glass                     | CH 75 00 0017          | € 390,00                            |
| Camouflage                | CH 75 00 0042          | € 400,00                            |



| TRADITIONAL        |               |          |
|--------------------|---------------|----------|
| Chrome             | CH 75 00 0001 | € 95,00  |
| Black matt PVD     | CH 75 00 0038 | € 110,00 |
| Matt Gun Metal PVD | CH 75 00 0045 | € 150,00 |

# Options

NOTE: NUVOLA SMART 30 CAN POWER UP TO 2 OPTIONAL CEILING LIGHT FITTINGS OF YOUR CHOICE FROM THE ESS - EFFE SOUND SYSTEM, COLOUR THERAPY AND WHITE LIGHT.



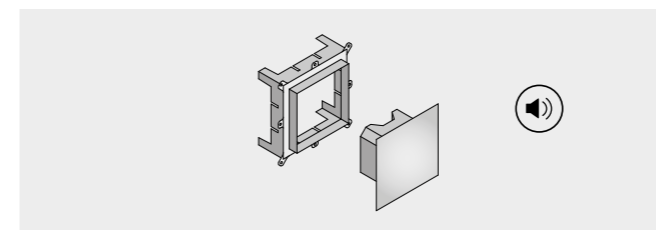
## Additional remote touch-screen control panel

Control panel dimensions: cm 18 x 6

Mounting box dimensions: cm 19 x 8 x 4,3 h

with Schlüter waterproofing mat

|                                   |               |          |
|-----------------------------------|---------------|----------|
| Counterbox                        | CH 90 00 0182 | € 32,00  |
| Remote touch-screen control panel | ME 60 00 0042 | € 605,00 |
| Total Price                       |               | € 637,00 |



## Ceiling light fixture with colour therapy, white light and passive loudspeakers

Light fixture dimensions: cm 20 x 20 x 2

Mounting box dimensions: cm 20,5 x 20,5 x 10,6 h

with Schlüter waterproofing mat

IP X5 class - Built-in loudspeakers, each 2W - 8 Ohm - 3.000 K

[More information](#)

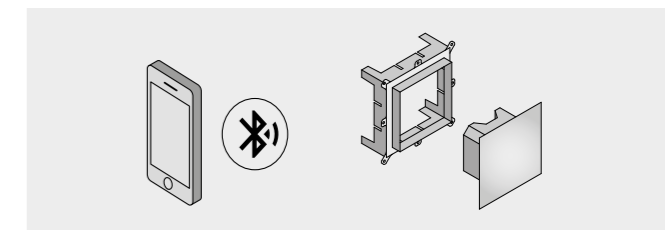
|                                 |               |            |
|---------------------------------|---------------|------------|
| Counterbox                      | CH 90 00 0174 | € 73,00    |
| Colour therapy and loudspeakers | HA 70 10 0005 | € 1.300,00 |
| Total Price                     |               | € 1.373,00 |



## Home-Automation Device

Enables the product to be connected to and integrated with home-automation systems (power pack included).

|                         |               |          |
|-------------------------|---------------|----------|
| Home-Automation Device. | ME 99 00 0421 | € 775,00 |
|-------------------------|---------------|----------|



## ESS - Effe Sound System

Kit with colour therapy, white light and Bluetooth speakers

Light fixture dimensions: cm 20 x 20 x 2

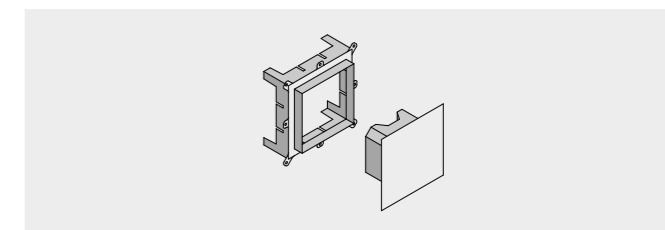
Mounting box dimensions: cm 20,5 x 20,5 x 10,6 h

with Schlüter waterproofing mat

IP X5 class - Built-in loudspeakers, each 2W - 8 Ohm

[More information](#)

|                                    |               |            |
|------------------------------------|---------------|------------|
| Counterbox                         | CH 90 00 0174 | € 73,00    |
| ESS kit with ceiling light fitting | HA 70 10 0008 | € 1.815,00 |
| Total Price                        |               | € 1.888,00 |



## White light fixture

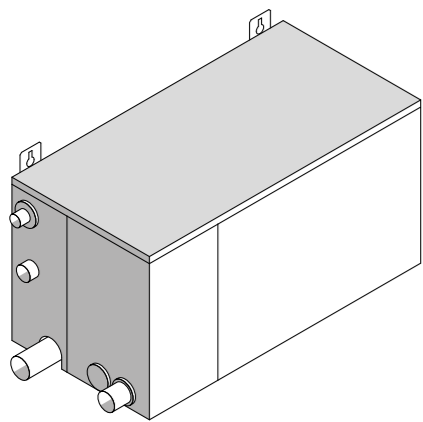
Light fixture dimensions: cm 20 x 20 x 2

Mounting box dimensions: cm 20,5 x 20,5 x 10,6 h

with Schlüter waterproofing mat - IP X5 class - 3.000 K

|                     |               |          |
|---------------------|---------------|----------|
| Counterbox          | CH 90 00 0174 | € 73,00  |
| White light fixture | HA 70 00 0009 | € 655,00 |
| Total Price         |               | € 728,00 |

# NUVOLA SMART 45



## STEAM GENERATOR

Dimensions: cm 52 x 26 x 27 h

Features:

- > RWF Regulating water flow - Can work on a wide range of water systems with different pressures
- > SWF Smart Water Filling - Optimised management of boiler filling
- > SBC Smart Boiler Cleaning - Dilution and intermediate rinsing processes not time controlled but based on real need
- > SEC Smart Energy Control - Evenly spaced on/off periods for the heating elements
- > ODS Open Door Sensor - Open Door Sensor
- > ECC 5.0 - Effe Comfort Control - This system is incorporated into every Effe steam generator so that the turkish bath can be remotely controlled, just download the app "MY EFFE" to your tablet or smartphone.
- > Diverter carrying water to the outlet

## REMOTE TOUCH-SCREEN CONTROL PANEL

Control panel dimensions: cm 18 x 6

Mounting box dimensions: cm 19 x 8 x 4,3 h

with Schlüter waterproofing mat

Price for the replacement of the internal standard control panel with backlit icons and temperature gauge

## STEAM DIFFUSER SMART GLASS AND CAMOUFLAGE

Mounting box: cm 18 x 10 x 15,2 h

with Schlüter waterproofing mat

Diffuser: cm 18,2 x 4,5 x 12,3 h

Features:

- > GLASS: glass front
- > CAMOUFLAGE: custom clad front, max thickness of cladding, including adhesive, 13 mm
- > Adjustable flaps to control the outgoing steam direction
- > Cubicle air-recirculation system built into the water-resistant fan
- > Essential oils container
- > Steam output led light
- > Additional temperature probe inside the diffuser

## TRADITIONAL STEAM DIFFUSER

Ø 5 x 3.5 cm with built-in container for essential oils

## VIRTUAL DOOR-OPEN SENSOR

The generator automatically interrupts steam distribution when the door is left open for a long time.

TO RECEIVE THE COMPLETE SYSTEM YOU KINDLY  
NEED TO ORDER A+B+C

### A NUVOLA SMART 45

Space volume (cubic metres): 3,5 - 4,5 in insulated space with the use of 3 cm thick insulation panels

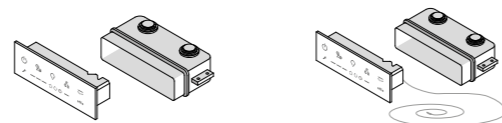
Power: 4,5 kW max - 230Vac 1N 50-60Hz - 400Vac 3N 50-60Hz

Steam generation: 6,6 Kg/h max

|                 |               |            |
|-----------------|---------------|------------|
| Nuvola Smart 45 | HA 50 50 0083 | € 3.610,00 |
|-----------------|---------------|------------|

### B CONTROL PANELS

Choose the counterbox and the control panel model



|  |               |          |
|--|---------------|----------|
| Panel counterbox                                     | CH 90 00 0182 | € 32,00  |
| Internal control panel                               | ME 60 00 0042 | € 605,00 |
| External control panel with remote temperature probe | ME 60 00 0049 | € 860,00 |

### C STEAM DIFFUSER

Choose the counterbox and steam diffuser model



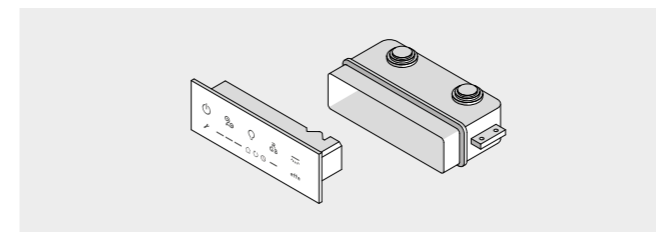
|                           | SMART GLASS<br>(glass) | SMART CAMOUFLAGE<br>(to be covered) |
|---------------------------|------------------------|-------------------------------------|
| Steam diffuser counterbox | CH 90 00 0187          | € 130,00                            |
| Glass 1 pc                | CH 75 00 0017          | € 390,00                            |
| Camouflage 1 pc           | CH 75 00 0042          | € 400,00                            |



| TRADITIONAL             |               |          |
|-------------------------|---------------|----------|
| Chrome 1 pc             | CH 75 00 0001 | € 95,00  |
| Black matt PVD 1 pc     | CH 75 00 0038 | € 110,00 |
| Matt Gun Metal PVD 1 pc | CH 75 00 0045 | € 150,00 |

# Options

NOTE: NUVOLA SMART 45 CAN POWER UP TO 2 OPTIONAL CEILING LIGHT FITTINGS OF YOUR CHOICE FROM THE ESS - EFFE SOUND SYSTEM, COLOUR THERAPY AND WHITE LIGHT.



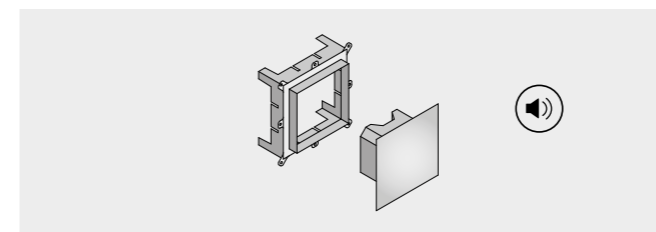
## Additional remote touch-screen control panel

Control panel dimensions: cm 18 x 6

Mounting box dimensions: cm 19 x 8 x 4,3 h

with Schlüter waterproofing mat

|                                   |               |                 |
|-----------------------------------|---------------|-----------------|
| Counterbox                        | CH 90 00 0182 | € 32,00         |
| Remote touch-screen control panel | ME 60 00 0042 | € 605,00        |
| <b>Total Price</b>                |               | <b>€ 637,00</b> |



## Ceiling light fixture with colour therapy, white light and passive loudspeakers

Light fixture dimensions: cm 20 x 20 x 2

Mounting box dimensions: cm 20,5 x 20,5 x 10,6 h

with Schlüter waterproofing mat

IP X5 class - Built-in loudspeakers, each 2W - 8 Ohm - 3.000 K

[More information](#)

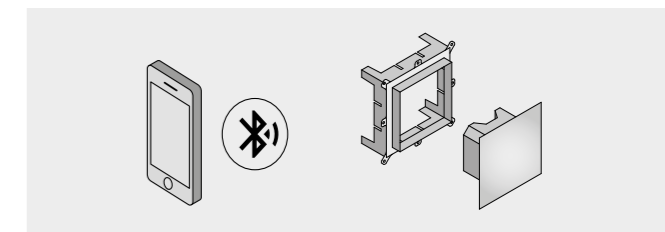
|                                 |               |                   |
|---------------------------------|---------------|-------------------|
| Counterbox                      | CH 90 00 0174 | € 73,00           |
| Colour therapy and loudspeakers | HA 70 10 0005 | € 1.300,00        |
| <b>Total Price</b>              |               | <b>€ 1.373,00</b> |



## Home-Automation Device

Enables the product to be connected to and integrated with home-automation systems (power pack included).

|                         |               |          |
|-------------------------|---------------|----------|
| Home-Automation Device. | ME 99 00 0421 | € 775,00 |
|-------------------------|---------------|----------|



## ESS - Effe Sound System

Kit with colour therapy, white light and Bluetooth speakers

Light fixture dimensions: cm 20 x 20 x 2

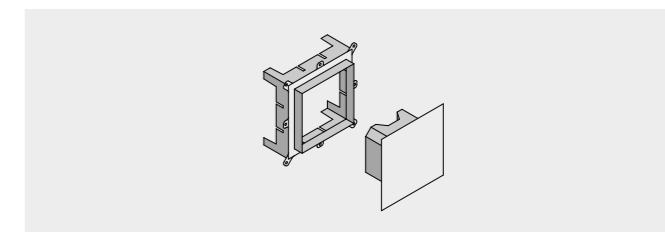
Mounting box dimensions: cm 20,5 x 20,5 x 10,6 h

with Schlüter waterproofing mat

IP X5 class - Built-in loudspeakers, each 2W - 8 Ohm

[More information](#)

|                                    |               |                   |
|------------------------------------|---------------|-------------------|
| Counterbox                         | CH 90 00 0174 | € 73,00           |
| ESS kit with ceiling light fitting | HA 70 10 0008 | € 1.815,00        |
| <b>Total Price</b>                 |               | <b>€ 1.888,00</b> |



## White light fixture

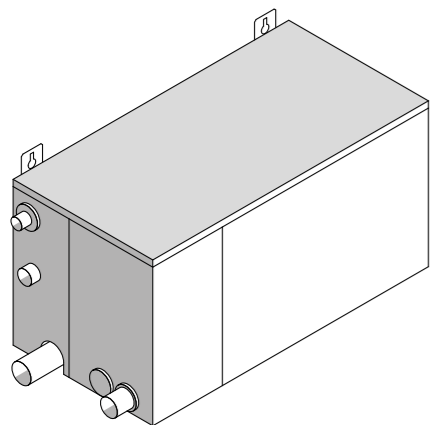
Light fixture dimensions: cm 20 x 20 x 2

Mounting box dimensions: cm 20,5 x 20,5 x 10,6 h

with Schlüter waterproofing mat - IP X5 class - 3.000 K

|                     |               |                 |
|---------------------|---------------|-----------------|
| Counterbox          | CH 90 00 0174 | € 73,00         |
| White light fixture | HA 70 00 0009 | € 655,00        |
| <b>Total Price</b>  |               | <b>€ 728,00</b> |

# NUVOLA SMART 55



## STEAM GENERATOR

Dimensions: cm 52 x 26 x 27 h

Features:

- > RWF Regulating water flow - Can work on a wide range of water systems with different pressures
- > SWF Smart Water Filling - Optimised management of boiler filling
- > SBC Smart Boiler Cleaning - Dilution and intermediate rinsing processes not time controlled but based on real need
- > SEC Smart Energy Control - Evenly spaced on/off periods for the heating elements
- > ODS Open Door Sensor - Open Door Sensor
- > ECC 5.0 - Effe Comfort Control - This system is incorporated into every Effe steam generator so that the turkish bath can be remotely controlled, just download the app "MY EFFE" to your tablet or smartphone.
- > Diverter carrying water to the outlet

## REMOTE TOUCH-SCREEN CONTROL PANEL

Control panel dimensions: cm 18 x 6

Mounting box dimensions: cm 19 x 8 x 4,3 h

with Schlüter waterproofing mat

Price for the replacement of the internal standard control panel with backlit icons and temperature gauge

## STEAM DIFFUSER SMART GLASS AND CAMOUFLAGE

Mounting box: cm 18 x 10 x 15,2 h

with Schlüter waterproofing mat

Diffuser: cm 18,2 x 4,5 x 12,3 h

Features:

- > GLASS: glass front
- > CAMOUFLAGE: custom clad front, max thickness of cladding, including adhesive, 13 mm
- > Adjustable flaps to control the outgoing steam direction
- > Cubicle air-recirculation system built into the water-resistant fan
- > Essential oils container
- > Steam output led light
- > Additional temperature probe inside the diffuser

## TRADITIONAL STEAM DIFFUSER (2 pcs.)

Ø 5 x 3.5 cm with built-in container for essential oils

## VIRTUAL DOOR-OPEN SENSOR

The generator automatically interrupts steam distribution when the door is left open for a long time.

TO RECEIVE THE COMPLETE SYSTEM YOU KINDLY  
NEED TO ORDER A+B+C

### A NUVOLA SMART 55

Space volume (cubic metres): 4,5 - 5,5 in insulated space with the use of 3 cm thick insulation panels

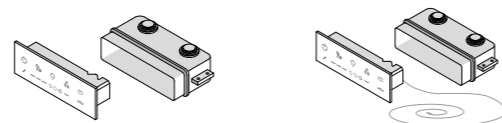
Power: 5,5 kW max - 230Vac 1N 50-60Hz - 400Vac 3N 50-60Hz

Steam generation: 8,1 Kg/h max

|                 |               |            |
|-----------------|---------------|------------|
| Nuvola Smart 55 | HA 50 50 0112 | € 4.090,00 |
|-----------------|---------------|------------|

### B CONTROL PANELS

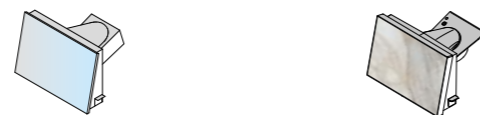
Choose the counterbox and the control panel model



|  |               |          |
|--|---------------|----------|
| Panel counterbox                                     | CH 90 00 0182 | € 32,00  |
| Internal control panel                               | ME 60 00 0042 | € 605,00 |
| External control panel with remote temperature probe | ME 60 00 0049 | € 860,00 |

### C STEAM DIFFUSER

Choose the counterbox and steam diffuser model



|                           | SMART GLASS<br>(glass) | SMART CAMOUFLAGE<br>(to be covered) |
|---------------------------|------------------------|-------------------------------------|
| Steam diffuser counterbox | CH 90 00 0187          | € 130,00                            |
| Glass                     | CH 75 00 0017          | € 390,00                            |
| Camouflage                | CH 75 00 0042          | € 400,00                            |



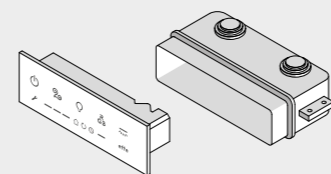
TRADITIONAL

IT IS NECESSARY TO ORDER 2 PIECES

|                    |               |              |
|--------------------|---------------|--------------|
| Chrome             | CH 75 00 0001 | € 95,00 x 2  |
| Black matt PVD     | CH 75 00 0038 | € 110,00 x 2 |
| Matt Gun Metal PVD | CH 75 00 0045 | € 150,00 x 2 |

# Options

NOTE: NUVOLA SMART 55 CAN POWER UP TO 2 OPTIONAL CEILING LIGHT FITTINGS OF YOUR CHOICE FROM THE ESS - EFFE SOUND SYSTEM, COLOUR THERAPY AND WHITE LIGHT.



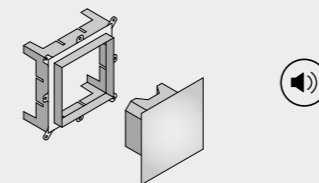
## Additional remote touch-screen control panel

Control panel dimensions: cm 18 x 6

Mounting box dimensions: cm 19 x 8 x 4,3 h

with Schlüter waterproofing mat

|                                   |               |          |
|-----------------------------------|---------------|----------|
| Counterbox                        | CH 90 00 0182 | € 32,00  |
| Remote touch-screen control panel | ME 60 00 0042 | € 605,00 |
| Total Price                       |               | € 637,00 |



## Ceiling light fixture with colour therapy, white light and passive loudspeakers

Light fixture dimensions: cm 20 x 20 x 2

Mounting box dimensions: cm 20,5 x 20,5 x 10,6 h

with Schlüter waterproofing mat

IP X5 class - Built-in loudspeakers, each 2W - 8 Ohm - 3.000 K

More information

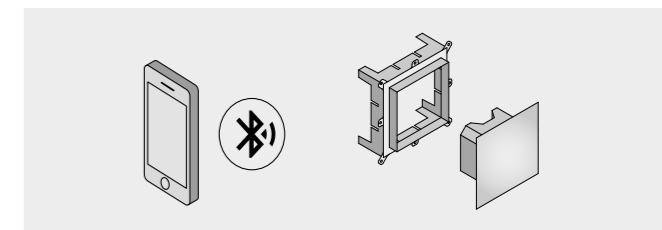
|                                 |               |            |
|---------------------------------|---------------|------------|
| Counterbox                      | CH 90 00 0174 | € 73,00    |
| Colour therapy and loudspeakers | HA 70 10 0005 | € 1.300,00 |
| Total Price                     |               | € 1.373,00 |



## Home-Automation Device

Enables the product to be connected to and integrated with home-automation systems (power pack included).

|                         |               |          |
|-------------------------|---------------|----------|
| Home-Automation Device. | ME 99 00 0421 | € 775,00 |
|-------------------------|---------------|----------|



## ESS - Effe Sound System

### Kit with colour therapy, white light and Bluetooth speakers

Light fixture dimensions: cm 20 x 20 x 2

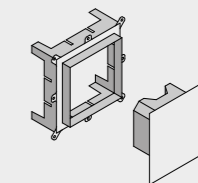
Mounting box dimensions: cm 20,5 x 20,5 x 10,6 h

with Schlüter waterproofing mat

IP X5 class - Built-in loudspeakers, each 2W - 8 Ohm

More information

|                                    |               |            |
|------------------------------------|---------------|------------|
| Counterbox                         | CH 90 00 0174 | € 73,00    |
| ESS kit with ceiling light fitting | HA 70 10 0008 | € 1.815,00 |
| Total Price                        |               | € 1.888,00 |



## White light fixture

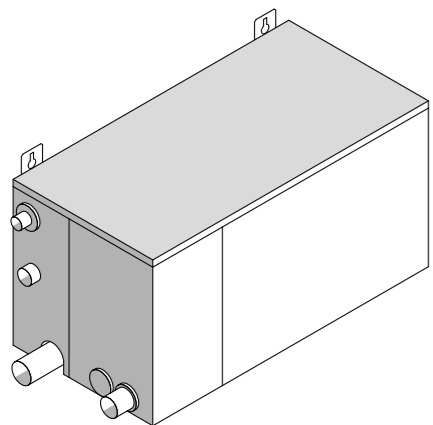
Light fixture dimensions: cm 20 x 20 x 2

Mounting box dimensions: cm 20,5 x 20,5 x 10,6 h

with Schlüter waterproofing mat - IP X5 class - 3.000 K

|                     |               |          |
|---------------------|---------------|----------|
| Counterbox          | CH 90 00 0174 | € 73,00  |
| White light fixture | HA 70 00 0009 | € 655,00 |
| Total Price         |               | € 728,00 |

# NUVOLA SMART 70



## STEAM GENERATOR

Dimensions: cm 52 x 26 x 27 h

Features:

- > RWF Regulating water flow - Can work on a wide range of water systems with different pressures
- > SWF Smart Water Filling - Optimised management of boiler filling
- > SBC Smart Boiler Cleaning - Dilution and intermediate rinsing processes not time controlled but based on real need
- > SEC Smart Energy Control - Evenly spaced on/off periods for the heating elements
- > ODS Open Door Sensor - Open Door Sensor
- > ECC 5.0 - Effe Comfort Control - This system is incorporated into every Effe steam generator so that the turkish bath can be remotely controlled, just download the app "MY EFFE" to your tablet or smartphone.
- > Diverter carrying water to the outlet

## REMOTE TOUCH-SCREEN CONTROL PANEL

Control panel dimensions: cm 18 x 6

Mounting box dimensions: cm 19 x 8 x 4,3 h

with Schlüter waterproofing mat

Price for the replacement of the internal standard control panel with backlit icons and temperature gauge

## STEAM DIFFUSER SMART GLASS AND CAMOUFLAGE

Mounting box: cm 18 x 10 x 15,2 h

with Schlüter waterproofing mat

Diffuser: cm 18,2 x 4,5 x 12,3 h

Features:

- > GLASS: glass front
- > CAMOUFLAGE: custom clad front, max thickness of cladding, including adhesive, 13 mm
- > Adjustable flaps to control the outgoing steam direction
- > Cubicle air-recirculation system built into the water-resistant fan
- > Essential oils container
- > Steam output led light
- > Additional temperature probe inside the diffuse

## TRADITIONAL STEAM DIFFUSER (2 pcs.)

Ø 5 x 3.5 cm with built-in container for essential oils

## VIRTUAL DOOR-OPEN SENSOR

The generator automatically interrupts steam distribution when the door is left open for a long time.

TO RECEIVE THE COMPLETE SYSTEM YOU KINDLY  
NEED TO ORDER A+B+C

### A NUVOLA SMART 70

Space volume (cubic metres): 5,5 - 7,2 in insulated space with the use of 3 cm thick insulation panels

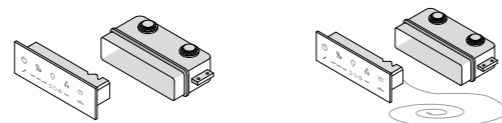
Power: 7,0 kW max - 230Vac 1N 50-60Hz - 400Vac 3N 50-60Hz

Steam generation: 10,2 Kg/h max

|                 |               |            |
|-----------------|---------------|------------|
| Nuvola Smart 70 | HA 50 50 0084 | € 4.090,00 |
|-----------------|---------------|------------|

### B CONTROL PANELS

Choose the counterbox and the control panel model



|  |               |          |
|--|---------------|----------|
| Panel counterbox                                     | CH 90 00 0182 | € 32,00  |
| Internal control panel                               | ME 60 00 0042 | € 605,00 |
| External control panel with remote temperature probe | ME 60 00 0049 | € 860,00 |

### C STEAM DIFFUSER

Choose the counterbox and steam diffuser model



|                                | SMART GLASS<br>(glass) | SMART CAMOUFLAGE<br>(to be covered) |
|--------------------------------|------------------------|-------------------------------------|
| Steam diffuser counterbox 1 pc | CH 90 00 0187          | € 130,00                            |
| Glass 1 pc                     | CH 75 00 0017          | € 390,00                            |
| Camouflage 1 pc                | CH 75 00 0042          | € 400,00                            |



#### TRADITIONAL

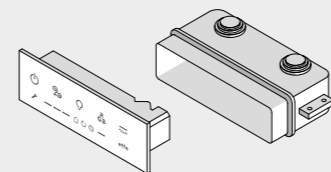
IT IS NECESSARY TO ORDER 2 PIECES

|                    |               |              |
|--------------------|---------------|--------------|
| Chrome             | CH 75 00 0001 | € 95,00 x 2  |
| Black matt PVD     | CH 75 00 0038 | € 110,00 x 2 |
| Matt Gun Metal PVD | CH 75 00 0045 | € 150,00 x 2 |

Technical card download

# Options

NOTE: NUVOLA SMART 70 CAN POWER UP TO 2 OPTIONAL CEILING LIGHT FITTINGS OF YOUR CHOICE FROM THE ESS - EFFE SOUND SYSTEM, COLOUR THERAPY AND WHITE LIGHT.



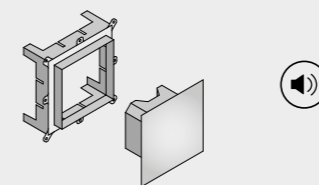
## Additional remote touch-screen control panel

Control panel dimensions: cm 18 x 6

Mounting box dimensions: cm 19 x 8 x 4,3 h

with Schlüter waterproofing mat

|                                   |               |          |
|-----------------------------------|---------------|----------|
| Counterbox                        | CH 90 00 0182 | € 32,00  |
| Remote touch-screen control panel | ME 60 00 0042 | € 605,00 |
| Total Price                       |               | € 637,00 |



## Ceiling light fixture with colour therapy, white light and passive loudspeakers

Light fixture dimensions: cm 20 x 20 x 2

Mounting box dimensions: cm 20,5 x 20,5 x 10,6 h

with Schlüter waterproofing mat

IP X5 class - Built-in loudspeakers, each 2W - 8 Ohm - 3.000 K

More information

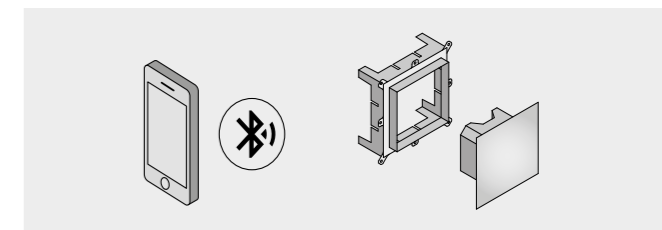
|                                 |               |            |
|---------------------------------|---------------|------------|
| Counterbox                      | CH 90 00 0174 | € 73,00    |
| Colour therapy and loudspeakers | HA 70 10 0005 | € 1.300,00 |
| Total Price                     |               | € 1.373,00 |



## Home-Automation Device

Enables the product to be connected to and integrated with home-automation systems (power pack included).

|                         |               |          |
|-------------------------|---------------|----------|
| Home-Automation Device. | ME 99 00 0421 | € 775,00 |
|-------------------------|---------------|----------|



## ESS - Effe Sound System

Kit with colour therapy, white light and Bluetooth speakers

Light fixture dimensions: cm 20 x 20 x 2

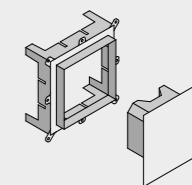
Mounting box dimensions: cm 20,5 x 20,5 x 10,6 h

with Schlüter waterproofing mat

IP X5 class - Built-in loudspeakers, each 2W - 8 Ohm.

More information

|                                    |               |            |
|------------------------------------|---------------|------------|
| Counterbox                         | CH 90 00 0174 | € 73,00    |
| ESS kit with ceiling light fitting | HA 70 10 0008 | € 1.815,00 |
| Total Price                        |               | € 1.888,00 |



## White light fixture

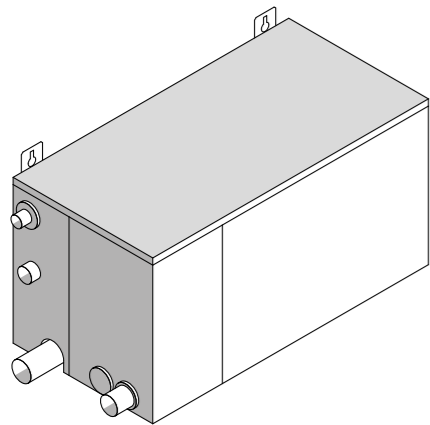
Light fixture dimensions: cm 20 x 20 x 2

Mounting box dimensions: cm 20,5 x 20,5 x 10,6 h

with Schlüter waterproofing mat - IP X5 class - 3.000 K

|                     |               |          |
|---------------------|---------------|----------|
| Counterbox          | CH 90 00 0174 | € 73,00  |
| White light fixture | HA 70 00 0009 | € 655,00 |
| Total Price         |               | € 728,00 |

# NUVOLA SMART 90



## STEAM GENERATOR

Dimensions: cm 52 x 26 x 27 h

Features:

- > RWF Regulating water flow - Can work on a wide range of water systems with different pressures
- > SWF Smart Water Filling - Optimised management of boiler filling
- > SBC Smart Boiler Cleaning - Dilution and intermediate rinsing processes not time controlled but based on real need
- > SEC Smart Energy Control - Evenly spaced on/off periods for the heating elements
- > ODS Open Door Sensor - Open Door Sensor
- > ECC 5.0 - Effe Comfort Control - This system is incorporated into every Effe steam generator so that the turkish bath can be remotely controlled, just download the app "MY EFFE" to your tablet or smartphone.
- > Diverter carrying water to the outlet

## REMOTE TOUCH-SCREEN CONTROL PANEL

Control panel dimensions: cm 18 x 6

Mounting box dimensions: cm 19 x 8 x 4,3 h

with Schlüter waterproofing mat

Price for the replacement of the internal standard control panel with backlit icons and temperature gauge

## STEAM DIFFUSER SMART GLASS AND CAMOUFLAGE

Mounting box: cm 18 x 10 x 15,2 h

with Schlüter waterproofing mat

Diffuser: cm 18,2 x 4,5 x 12,3 h

Features:

- > GLASS: glass front
- > CAMOUFLAGE: custom clad front, max thickness of cladding, including adhesive, 13 mm
- > Adjustable flaps to control the outgoing steam direction
- > Cubicle air-recirculation system built into the water-resistant fan
- > Essential oils container
- > Steam output led light
- > Additional temperature probe inside the diffuser

## TRADITIONAL STEAM DIFFUSER (2 pcs.)

Ø 5 x 3.5 cm with built-in container for essential oils

## VIRTUAL DOOR-OPEN SENSOR

The generator automatically interrupts steam distribution when the door is left open for a long time.

TO RECEIVE THE COMPLETE SYSTEM YOU KINDLY  
NEED TO ORDER A+B+C

### A NUVOLA SMART 90

Space volume (cubic metres): 7,2 - 9,2 in insulated space with the use of 3 cm thick insulation panels

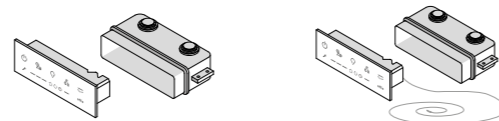
Power: 9,0 kW max - 230Vac 1N 50-60Hz - 400Vac 3N 50-60Hz

Steam generation: 13,1 Kg/h max

|                 |               |            |
|-----------------|---------------|------------|
| Nuvola Smart 90 | HA 50 50 0085 | € 4.090,00 |
|-----------------|---------------|------------|

### B CONTROL PANELS

Choose the counterbox and the control panel model



|  |               |          |
|--|---------------|----------|
| Panel counterbox                                     | CH 90 00 0182 | € 32,00  |
| Internal control panel                               | ME 60 00 0042 | € 605,00 |
| External control panel with remote temperature probe | ME 60 00 0049 | € 860,00 |

### C STEAM DIFFUSER

Choose the counterbox and steam diffuser model



|                           | SMART GLASS<br>(glass) | SMART CAMOUFLAGE<br>(to be covered) |
|---------------------------|------------------------|-------------------------------------|
| Steam diffuser counterbox | CH 90 00 0187          | € 130,00                            |
| Glass                     | CH 75 00 0017          | € 390,00                            |
| Camouflage                | CH 75 00 0042          | € 400,00                            |



#### TRADITIONAL

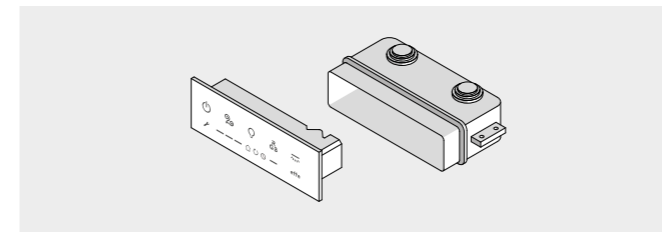
IT IS NECESSARY TO ORDER 2 PIECES

|                    |               |              |
|--------------------|---------------|--------------|
| Chrome             | CH 75 00 0001 | € 95,00 x 2  |
| Black matt PVD     | CH 75 00 0038 | € 110,00 x 2 |
| Matt Gun Metal PVD | CH 75 00 0045 | € 150,00 x 2 |

Technical card download

# Options

NOTE: NUVOLA SMART 90 CAN POWER UP TO 2 OPTIONAL CEILING LIGHT FITTINGS OF YOUR CHOICE FROM THE ESS - EFFE SOUND SYSTEM, COLOUR THERAPY AND WHITE LIGHT.



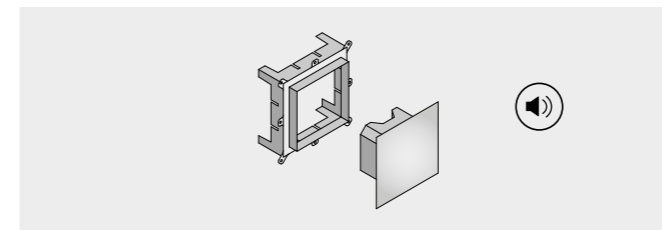
## Additional remote touch-screen control panel

Control panel dimensions: cm 18 x 6

Mounting box dimensions: cm 19 x 8 x 4,3 h

with Schlüter waterproofing mat

|                                   |               |          |
|-----------------------------------|---------------|----------|
| Counterbox                        | CH 90 00 0182 | € 32,00  |
| Remote touch-screen control panel | ME 60 00 0042 | € 605,00 |
| Total Price                       |               | € 637,00 |



## Ceiling light fixture with colour therapy, white light and passive loudspeakers

Light fixture dimensions: cm 20 x 20 x 2

Mounting box dimensions: cm 20,5 x 20,5 x 10,6 h

with Schlüter waterproofing mat

IP X5 class - Built-in loudspeakers, each 2W - 8 Ohm - 3.000 K

More information

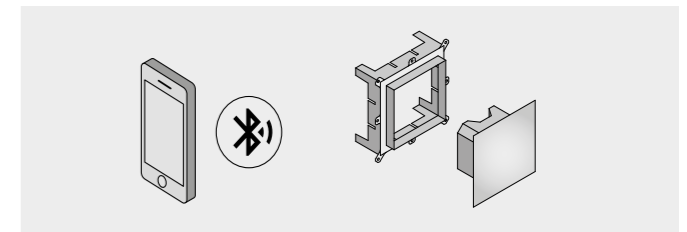
|                                 |               |            |
|---------------------------------|---------------|------------|
| Counterbox                      | CH 90 00 0174 | € 73,00    |
| Colour therapy and loudspeakers | HA 70 10 0005 | € 1.300,00 |
| Total Price                     |               | € 1.373,00 |



## Home-Automation Device

Enables the product to be connected to and integrated with home-automation systems (power pack included).

|                         |               |          |
|-------------------------|---------------|----------|
| Home-Automation Device. | ME 99 00 0421 | € 775,00 |
|-------------------------|---------------|----------|



## ESS - Effe Sound System

Kit with colour therapy, white light and Bluetooth speakers

Light fixture dimensions: cm 20 x 20 x 2

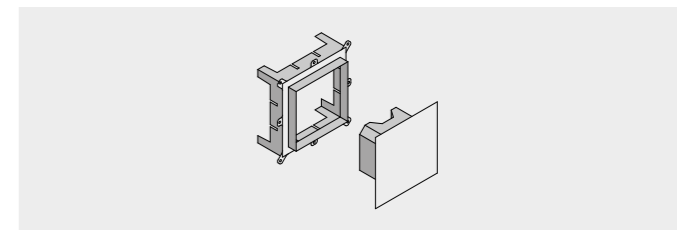
Mounting box dimensions: cm 20,5 x 20,5 x 10,6 h

with Schlüter waterproofing mat

IP X5 class - Built-in loudspeakers, each 2W - 8 Ohm

More information

|                                    |               |            |
|------------------------------------|---------------|------------|
| Counterbox                         | CH 90 00 0174 | € 73,00    |
| ESS kit with ceiling light fitting | HA 70 10 0008 | € 1.815,00 |
| Total Price                        |               | € 1.888,00 |



## White light fixture

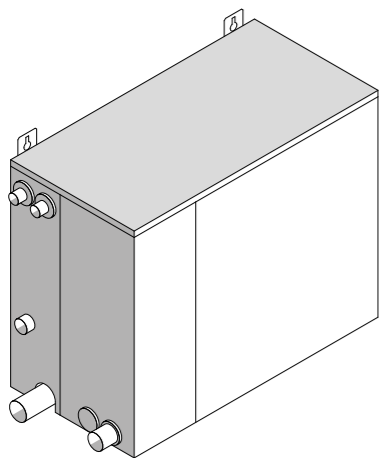
Light fixture dimensions: cm 20 x 20 x 2

Mounting box dimensions: cm 20,5 x 20,5 x 10,6 h

with Schlüter waterproofing mat - IP X5 class - 3.000 K

|                     |               |          |
|---------------------|---------------|----------|
| Counterbox          | CH 90 00 0174 | € 73,00  |
| White light fixture | HA 70 00 0009 | € 655,00 |
| Total Price         |               | € 728,00 |

# NUVOLA SMART 110



## STEAM GENERATOR

Dimensions: cm 52 x 26 x 45 h

Features:

- > RWF Regulating water flow - Can work on a wide range of water systems with different pressures
- > SWF Smart Water Filling - Optimised management of boiler filling
- > SBC Smart Boiler Cleaning - Dilution and intermediate rinsing processes not time controlled but based on real need
- > SEC Smart Energy Control - Evenly spaced on/off periods for the heating elements
- > ODS Open Door Sensor - Open Door Sensor
- > ECC 5.0 - Effe Comfort Control - This system is incorporated into every Effe steam generator so that the turkish bath can be remotely controlled, just download the app "MY EFFE" to your tablet or smartphone.
- > Diverter carrying water to the outlet

## REMOTE TOUCH-SCREEN CONTROL PANEL

Control panel dimensions: cm 18 x 6

Mounting box dimensions: cm 19 x 8 x 4,3 h

with Schlüter waterproofing mat

Price for the replacement of the internal standard control panel with backlit icons and temperature gauge

## STEAM DIFFUSER SMART GLASS AND CAMOUFLAGE (2 pcs.)

Mounting box: cm 18 x 10 x 15,2 h

with Schlüter waterproofing mat

Diffuser: cm 18,2 x 4,5 x 12,3 h

Features:

- > GLASS: glass front
- > CAMOUFLAGE: custom clad front, max thickness of cladding, including adhesive, 13 mm
- > Adjustable flaps to control the outgoing steam direction
- > Cubicle air-recirculation system built into the water-resistant fan
- > Essential oils container
- > Steam output led light
- > Additional temperature probe inside the diffuser

## TRADITIONAL STEAM DIFFUSER (4 pcs.)

Ø 5 x 3.5 cm with built-in container for essential oils

## VIRTUAL DOOR-OPEN SENSOR

The generator automatically interrupts steam distribution when the door is left open for a long time.

TO RECEIVE THE COMPLETE SYSTEM YOU KINDLY  
NEED TO ORDER A+B+C

### A NUVOLA SMART 110

Space volume (cubic metres): 9,2 - 12 in insulated space with the use of 3 cm thick insulation panels

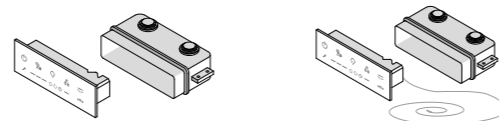
Power: 11,0 kW max - 230Vac 1N 50-60Hz - 400Vac 3N 50-60Hz

Steam generation: 16,2 Kg/h max

|                  |               |            |
|------------------|---------------|------------|
| Nuvola Smart 110 | HA 50 50 0086 | € 5.600,00 |
|------------------|---------------|------------|

### B CONTROL PANELS

Choose the counterbox and the control panel model



|  |               |          |
|--|---------------|----------|
| Panel counterbox                                     | CH 90 00 0182 | € 32,00  |
| Internal control panel                               | ME 60 00 0042 | € 605,00 |
| External control panel with remote temperature probe | ME 60 00 0049 | € 860,00 |

### C STEAM DIFFUSER

Choose the counterbox and steam diffuser model



**SMART GLASS**

(glass)

**SMART CAMOUFLAGE**

(to be covered)

IT IS NECESSARY TO ORDER 2 PIECES

|                           |               |              |
|---------------------------|---------------|--------------|
| Steam diffuser counterbox | CH 90 00 0187 | € 130,00 x 2 |
| Glass                     | CH 75 00 0017 | € 390,00 x 2 |
| Camouflage                | CH 75 00 0042 | € 400,00 x 2 |



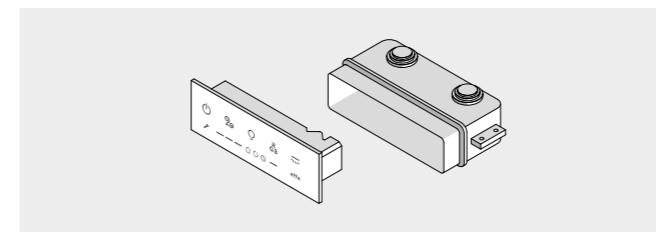
**TRADITIONAL**

IT IS NECESSARY TO ORDER 4 PIECES

|                    |               |              |
|--------------------|---------------|--------------|
| Chrome             | CH 75 00 0001 | € 95,00 x 4  |
| Black matt PVD     | CH 75 00 0038 | € 110,00 x 4 |
| Matt Gun Metal PVD | CH 75 00 0045 | € 150,00 x 4 |

# Options

NOTE: NUVOLA SMART 110 CAN POWER UP TO 2 OPTIONAL CEILING LIGHT FITTINGS OF YOUR CHOICE FROM THE ESS - EFFE SOUND SYSTEM, COLOUR THERAPY AND WHITE LIGHT.



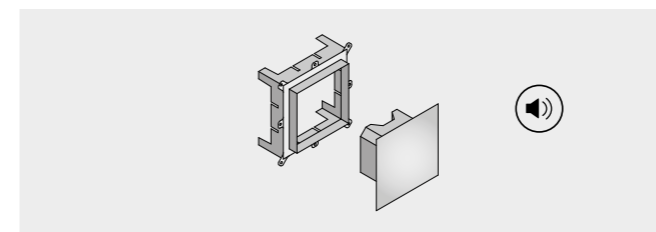
## Additional remote touch-screen control panel

Control panel dimensions: cm 18 x 6

Mounting box dimensions: cm 19 x 8 x 4,3 h

with Schlüter waterproofing mat

|                                   |               |                 |
|-----------------------------------|---------------|-----------------|
| Counterbox                        | CH 90 00 0182 | € 32,00         |
| Remote touch-screen control panel | ME 60 00 0042 | € 605,00        |
| <b>Total Price</b>                |               | <b>€ 637,00</b> |



## Ceiling light fixture with colour therapy, white light and passive loudspeakers

Light fixture dimensions: cm 20 x 20 x 2

Mounting box dimensions: cm 20,5 x 20,5 x 10,6 h

with Schlüter waterproofing mat

IP X5 class - Built-in loudspeakers, each 2W - 8 Ohm - 3.000 K

[More information](#)

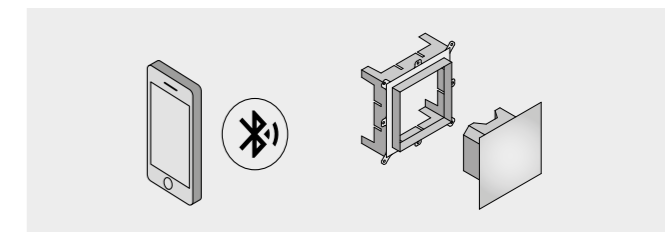
|                                 |               |                   |
|---------------------------------|---------------|-------------------|
| Counterbox                      | CH 90 00 0174 | € 73,00           |
| Colour therapy and loudspeakers | HA 70 10 0005 | € 1.300,00        |
| <b>Total Price</b>              |               | <b>€ 1.373,00</b> |



## Home-Automation Device

Enables the product to be connected to and integrated with home-automation systems (power pack included).

|                         |               |          |
|-------------------------|---------------|----------|
| Home-Automation Device. | ME 99 00 0421 | € 775,00 |
|-------------------------|---------------|----------|



## ESS - Effe Sound System

### Kit with colour therapy, white light and Bluetooth speakers

Light fixture dimensions: cm 20 x 20 x 2

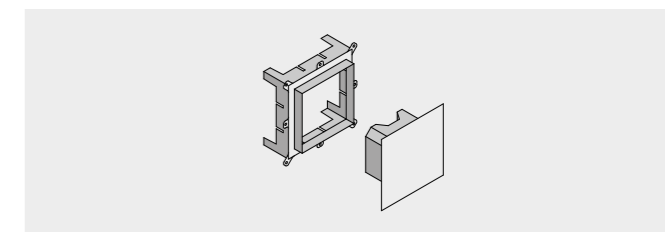
Mounting box dimensions: cm 20,5 x 20,5 x 10,6 h

with Schlüter waterproofing mat

IP X5 class - Built-in loudspeakers, each 2W - 8 Ohm

[More information](#)

|                                    |               |                   |
|------------------------------------|---------------|-------------------|
| Counterbox                         | CH 90 00 0174 | € 73,00           |
| ESS kit with ceiling light fitting | HA 70 10 0008 | € 1.815,00        |
| <b>Total Price</b>                 |               | <b>€ 1.888,00</b> |



## White light fixture

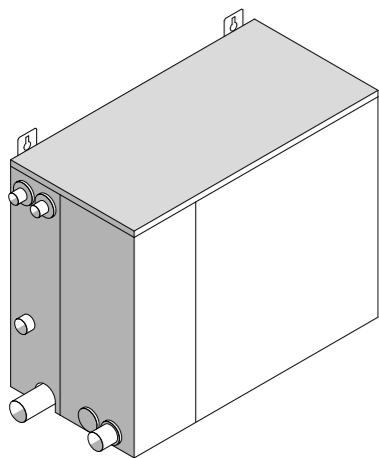
Light fixture dimensions: cm 20 x 20 x 2

Mounting box dimensions: cm 20,5 x 20,5 x 10,6 h

with Schlüter waterproofing mat - IP X5 class - 3.000 K

|                     |               |                 |
|---------------------|---------------|-----------------|
| Counterbox          | CH 90 00 0174 | € 73,00         |
| White light fixture | HA 70 00 0009 | € 655,00        |
| <b>Total Price</b>  |               | <b>€ 728,00</b> |

# NUVOLA SMART 140



## STEAM GENERATOR

Dimensions: cm 52 x 26 x 45 h

Features:

- > RWF Regulating water flow - Can work on a wide range of water systems with different pressures
- > SWF Smart Water Filling - Optimised management of boiler filling
- > SBC Smart Boiler Cleaning - Dilution and intermediate rinsing processes not time controlled but based on real need
- > SEC Smart Energy Control - Evenly spaced on/off periods for the heating elements
- > ODS Open Door Sensor - Open Door Sensor
- > ECC 5.0 - Effe Comfort Control - This system is incorporated into every Effe steam generator so that the turkish bath can be remotely controlled, just download the app "MY EFFE" to your tablet or smartphone.
- > Diverter carrying water to the outlet

## REMOTE TOUCH-SCREEN CONTROL PANEL

Control panel dimensions: cm 18 x 6

Mounting box dimensions: cm 19 x 8 x 4,3 h

with Schlüter waterproofing mat

Price for the replacement of the internal standard control panel with backlit icons and temperature gauge

## STEAM DIFFUSER SMART GLASS AND CAMOUFLAGE (2 pcs.)

Mounting box: cm 18 x 10 x 15,2 h

with Schlüter waterproofing mat

Diffuser: cm 18,2 x 4,5 x 12,3 h

Features:

- > GLASS: glass front
- > CAMOUFLAGE: custom clad front, max thickness of cladding, including adhesive, 13 mm
- > Adjustable flaps to control the outgoing steam direction
- > Cubicle air-recirculation system built into the water-resistant fan
- > Essential oils container
- > Steam output led light
- > Additional temperature probe inside the diffuser

## TRADITIONAL STEAM DIFFUSER (4 pcs.)

Ø 5 x 3.5 cm with built-in container for essential oils

## VIRTUAL DOOR-OPEN SENSOR

The generator automatically interrupts steam distribution when the door is left open for a long time.

TO RECEIVE THE COMPLETE SYSTEM YOU KINDLY  
NEED TO ORDER A+B+C

### A NUVOLA SMART 140

Space volume (cubic metres): 12 - 15 in insulated space with the use of 3 cm thick insulation panels

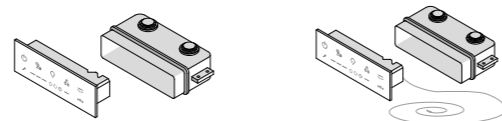
Power: 14,0 kW max - 230Vac 1N 50-60Hz - 400Vac 3N 50-60Hz

Steam generation: 20,7 Kg/h max

|                  |               |            |
|------------------|---------------|------------|
| Nuvola Smart 140 | HA 50 50 0087 | € 5.600,00 |
|------------------|---------------|------------|

### B CONTROL PANELS

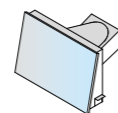
Choose the counterbox and the control panel model



|  |               |          |
|--|---------------|----------|
| Panel counterbox                                     | CH 90 00 0182 | € 32,00  |
| Internal control panel                               | ME 60 00 0042 | € 605,00 |
| External control panel with remote temperature probe | ME 60 00 0049 | € 860,00 |

### C STEAM DIFFUSER

Choose the counterbox and steam diffuser model



SMART GLASS

(glass)



SMART CAMOUFLAGE

(to be covered)

IT IS NECESSARY TO ORDER 2 PIECES

|                           |               |              |
|---------------------------|---------------|--------------|
| Steam diffuser counterbox | CH 90 00 0187 | € 130,00 x 2 |
| Glass                     | CH 75 00 0017 | € 390,00 x 2 |
| Camouflage                | CH 75 00 0042 | € 400,00 x 2 |



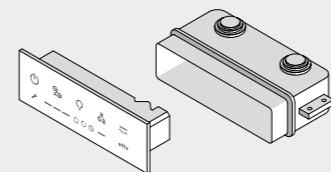
TRADITIONAL

IT IS NECESSARY TO ORDER 4 PIECES

|                    |               |              |
|--------------------|---------------|--------------|
| Chrome             | CH 75 00 0001 | € 95,00 x 4  |
| Black matt PVD     | CH 75 00 0038 | € 110,00 x 4 |
| Matt Gun Metal PVD | CH 75 00 0045 | € 150,00 x 4 |

# Options

NOTE: NUVOLA SMART 140 CAN POWER UP TO 2 OPTIONAL CEILING LIGHT FITTINGS OF YOUR CHOICE FROM THE ESS - EFFE SOUND SYSTEM, COLOUR THERAPY AND WHITE LIGHT.



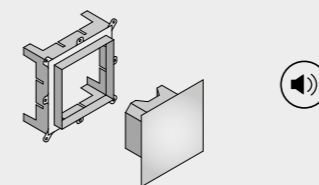
## Additional remote touch-screen control panel

Control panel dimensions: cm 18 x 6

Mounting box dimensions: cm 19 x 8 x 4,3 h

with Schlüter waterproofing mat

|                                   |               |          |
|-----------------------------------|---------------|----------|
| Counterbox                        | CH 90 00 0182 | € 32,00  |
| Remote touch-screen control panel | ME 60 00 0042 | € 605,00 |
| Total Price                       |               | € 637,00 |



## Ceiling light fixture with colour therapy, white light and passive loudspeakers

Light fixture dimensions: cm 20 x 20 x 2

Mounting box dimensions: cm 20,5 x 20,5 x 10,6 h

with Schlüter waterproofing mat

IP X5 class - Built-in loudspeakers, each 2W - 8 Ohm - 3.000 K

More information

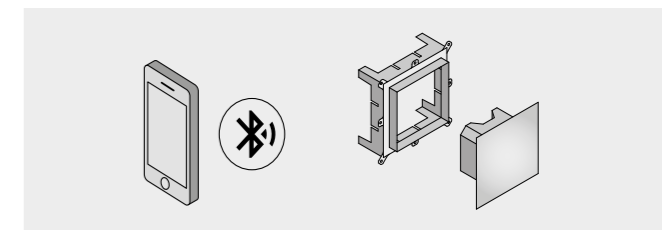
|                                 |               |            |
|---------------------------------|---------------|------------|
| Counterbox                      | CH 90 00 0174 | € 73,00    |
| Colour therapy and loudspeakers | HA 70 10 0005 | € 1.300,00 |
| Total Price                     |               | € 1.373,00 |



## Home-Automation Device

Enables the product to be connected to and integrated with home-automation systems (power pack included).

|                         |               |          |
|-------------------------|---------------|----------|
| Home-Automation Device. | ME 99 00 0421 | € 775,00 |
|-------------------------|---------------|----------|



## ESS - Effe Sound System

### Kit with colour therapy, white light and Bluetooth speakers

Light fixture dimensions: cm 20 x 20 x 2

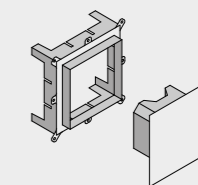
Mounting box dimensions: cm 20,5 x 20,5 x 10,6 h

with Schlüter waterproofing mat

IP X5 class - Built-in loudspeakers, each 2W - 8 Ohm

More information

|                                    |               |            |
|------------------------------------|---------------|------------|
| Counterbox                         | CH 90 00 0174 | € 73,00    |
| ESS kit with ceiling light fitting | HA 70 10 0008 | € 1.815,00 |
| Total Price                        |               | € 1.888,00 |



## White light fixture

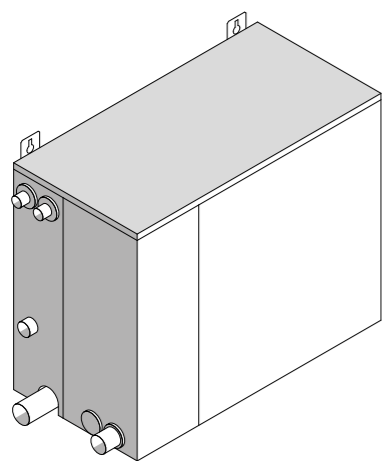
Light fixture dimensions: cm 20 x 20 x 2

Mounting box dimensions: cm 20,5 x 20,5 x 10,6 h

with Schlüter waterproofing mat - IP X5 class - 3.000 K

|                     |               |          |
|---------------------|---------------|----------|
| Counterbox          | CH 90 00 0174 | € 73,00  |
| White light fixture | HA 70 00 0009 | € 655,00 |
| Total Price         |               | € 728,00 |

# NUVOLA SMART 180



## STEAM GENERATOR

Dimensions: cm 52 x 26 x 45 h

Features:

- > RWF Regulating water flow - Can work on a wide range of water systems with different pressures
- > SWF Smart Water Filling - Optimised management of boiler filling
- > SBC Smart Boiler Cleaning - Dilution and intermediate rinsing processes not time controlled but based on real need
- > SEC Smart Energy Control - Evenly spaced on/off periods for the heating elements
- > ODS Open Door Sensor - Open Door Sensor
- > ECC 5.0 - Effe Comfort Control - This system is incorporated into every Effe steam generator so that the turkish bath can be remotely controlled, just download the app "MY EFFE" to your tablet or smartphone.
- > Diverter carrying water to the outlet

## REMOTE TOUCH-SCREEN CONTROL PANEL

Control panel dimensions: cm 18 x 6

Mounting box dimensions: cm 19 x 8 x 4,3 h

with Schlüter waterproofing mat

Price for the replacement of the internal standard control panel with backlit icons and temperature gauge

## STEAM DIFFUSER SMART GLASS AND CAMOUFLAGE (2 pcs.)

Mounting box: cm 18 x 10 x 15,2 h

with Schlüter waterproofing mat

Diffuser: cm 18,2 x 4,5 x 12,3 h

Features:

- > GLASS: glass front
- > CAMOUFLAGE: custom clad front, max thickness of cladding, including adhesive, 13 mm
- > Adjustable flaps to control the outgoing steam direction
- > Cubicle air-recirculation system built into the water-resistant fan
- > Essential oils container
- > Steam output led light
- > Additional temperature probe inside the diffuser

## TRADITIONAL STEAM DIFFUSER (4 pcs.)

Ø 5 x 3.5 cm with built-in container for essential oils

## VIRTUAL DOOR-OPEN SENSOR

The generator automatically interrupts steam distribution when the door is left open for a long time.

TO RECEIVE THE COMPLETE SYSTEM YOU KINDLY  
NEED TO ORDER A+B+C

### A NUVOLA SMART 180

Space volume (cubic metres): 15 - 25 in insulated space with the use of 3 cm thick insulation panels

Power: 18,0 kW max - 230Vac 1N 50-60Hz - 400Vac 3N 50-60Hz

Steam generation: 26,2 Kg/h max

|                  |               |            |
|------------------|---------------|------------|
| Nuvola Smart 180 | HA 50 50 0088 | € 5.600,00 |
|------------------|---------------|------------|

### B CONTROL PANELS

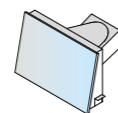
Choose the counterbox and the control panel model



|  |               |          |
|--|---------------|----------|
| Panel counterbox                                     | CH 90 00 0182 | € 32,00  |
| Internal control panel                               | ME 60 00 0042 | € 605,00 |
| External control panel with remote temperature probe | ME 60 00 0049 | € 860,00 |

### C STEAM DIFFUSER

Choose the counterbox and steam diffuser model



**SMART GLASS**

(glass)



**SMART CAMOUFLAGE**

(to be covered)

IT IS NECESSARY TO ORDER 2 PIECES

|                           |               |              |
|---------------------------|---------------|--------------|
| Steam diffuser counterbox | CH 90 00 0187 | € 130,00 x 2 |
| Glass                     | CH 75 00 0017 | € 390,00 x 2 |
| Camouflage                | CH 75 00 0042 | € 400,00 x 2 |



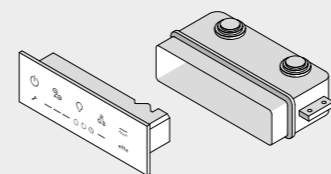
**TRADITIONAL**

IT IS NECESSARY TO ORDER 4 PIECES

|                    |               |              |
|--------------------|---------------|--------------|
| Chrome             | CH 75 00 0001 | € 95,00 x 4  |
| Black matt PVD     | CH 75 00 0038 | € 110,00 x 4 |
| Matt Gun Metal PVD | CH 75 00 0045 | € 150,00 x 4 |

# Options

NOTE: NUVOLA SMART 180 CAN POWER UP TO 2 OPTIONAL CEILING LIGHT FITTINGS OF YOUR CHOICE FROM THE ESS - EFFE SOUND SYSTEM, COLOUR THERAPY AND WHITE LIGHT.



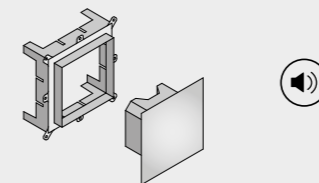
## Additional remote touch-screen control panel

Control panel dimensions: cm 18 x 6

Mounting box dimensions: cm 19 x 8 x 4,3 h

with Schlüter waterproofing mat

|                                   |               |                 |
|-----------------------------------|---------------|-----------------|
| Counterbox                        | CH 90 00 0182 | € 32,00         |
| Remote touch-screen control panel | ME 60 00 0042 | € 605,00        |
| <b>Total Price</b>                |               | <b>€ 637,00</b> |



## Ceiling light fixture with colour therapy, white light and passive loudspeakers

Light fixture dimensions: cm 20 x 20 x 2

Mounting box dimensions: cm 20,5 x 20,5 x 10,6 h

with Schlüter waterproofing mat

IP X5 class - Built-in loudspeakers, each 2W - 8 Ohm - 3.000 K

[More information](#)

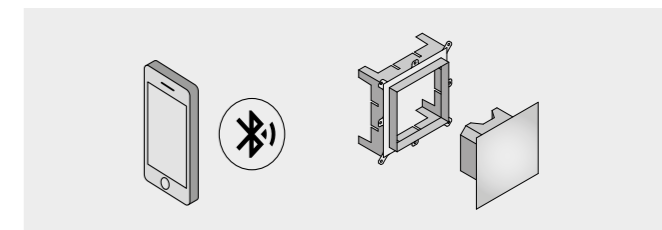
|                                 |               |                   |
|---------------------------------|---------------|-------------------|
| Counterbox                      | CH 90 00 0174 | € 73,00           |
| Colour therapy and loudspeakers | HA 70 10 0005 | € 1.300,00        |
| <b>Total Price</b>              |               | <b>€ 1.373,00</b> |



## Home-Automation Device

Enables the product to be connected to and integrated with home-automation systems (power pack included).

|                         |               |          |
|-------------------------|---------------|----------|
| Home-Automation Device. | ME 99 00 0421 | € 775,00 |
|-------------------------|---------------|----------|



## ESS - Effe Sound System

**Kit with colour therapy, white light and Bluetooth speakers**

Light fixture dimensions: cm 20 x 20 x 2

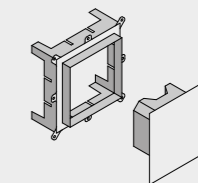
Mounting box dimensions: cm 20,5 x 20,5 x 10,6 h

with Schlüter waterproofing mat

IP X5 class - Built-in loudspeakers, each 2W - 8 Ohm

[More information](#)

|                                    |               |                   |
|------------------------------------|---------------|-------------------|
| Counterbox                         | CH 90 00 0174 | € 73,00           |
| ESS kit with ceiling light fitting | HA 70 10 0008 | € 1.815,00        |
| <b>Total Price</b>                 |               | <b>€ 1.888,00</b> |



## White light fixture

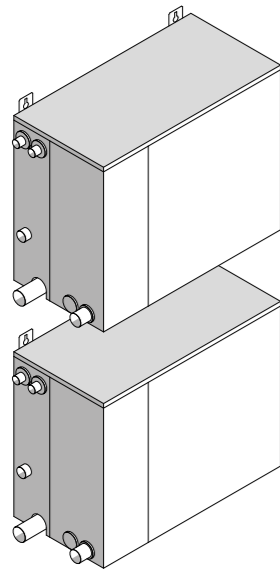
Light fixture dimensions: cm 20 x 20 x 2

Mounting box dimensions: cm 20,5 x 20,5 x 10,6 h

with Schlüter waterproofing mat - IP X5 class - 3.000 K

|                     |               |                 |
|---------------------|---------------|-----------------|
| Counterbox          | CH 90 00 0174 | € 73,00         |
| White light fixture | HA 70 00 0009 | € 655,00        |
| <b>Total Price</b>  |               | <b>€ 728,00</b> |

# NUVOLA SMART 250



## STEAM GENERATOR

Dimensions: cm 52 x 26 x 95 h

Features:

- > RWF Regulating water flow - Can work on a wide range of water systems with different pressures
- > SWF Smart Water Filling - Optimised management of boiler filling
- > SBC Smart Boiler Cleaning - Dilution and intermediate rinsing processes not time controlled but based on real need
- > SEC Smart Energy Control - Evenly spaced on/off periods for the heating elements
- > ODS Open Door Sensor - Open Door Sensor
- > ECC 5.0 - Effe Comfort Control - This system is incorporated into every Effe steam generator so that the turkish bath can be remotely controlled, just download the app "MY EFFE" to your tablet or smartphone.
- > Diverter carrying water to the outlet

## REMOTE TOUCH-SCREEN CONTROL PANEL

Control panel dimensions: cm 18 x 6

Mounting box dimensions: cm 19 x 8 x 4,3 h

with Schlüter waterproofing mat

Price for the replacement of the internal standard control panel with backlit icons and temperature gauge

## STEAM DIFFUSER SMART GLASS AND CAMOUFLAGE (4 pcs.)

Mounting box: cm 18 x 10 x 15,2 h

with Schlüter waterproofing mat

Diffuser: cm 18,2 x 4,5 x 12,3 h

Features:

- > GLASS: glass front
- > CAMOUFLAGE: custom clad front, max thickness of cladding, including adhesive, 13 mm
- > Adjustable flaps to control the outgoing steam direction
- > Cubicle air-recirculation system built into the water-resistant fan
- > Essential oils container
- > Steam output led light
- > Additional temperature probe inside the diffuser

## TRADITIONAL STEAM DIFFUSER (8 pcs.)

Ø 5 x 3.5 cm with built-in container for essential oils

## VIRTUAL DOOR-OPEN SENSOR

The generator automatically interrupts steam distribution when the door is left open for a long time.

TO RECEIVE THE COMPLETE SYSTEM YOU KINDLY  
NEED TO ORDER A+B+C

### A NUVOLA SMART 250

Space volume (cubic metres): 25 - 35 in insulated space with the use of 3 cm thick insulation panels

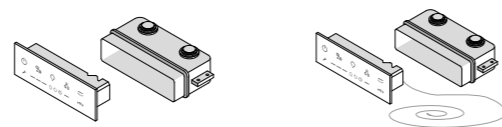
Power: 25,0 kW max - 230Vac 1N 50-60Hz - 400Vac 3N 50-60Hz

Steam generation: 37 Kg/h max

|                  |               |             |
|------------------|---------------|-------------|
| Nuvola Smart 250 | HA 50 50 0135 | € 11.200,00 |
|------------------|---------------|-------------|

### B CONTROL PANELS

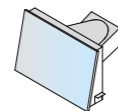
Choose the counterbox and the control panel model



|  |               |          |
|--|---------------|----------|
| Panel counterbox                                     | CH 90 00 0182 | € 32,00  |
| Internal control panel                               | ME 60 00 0042 | € 605,00 |
| External control panel with remote temperature probe | ME 60 00 0049 | € 860,00 |

### C STEAM DIFFUSER

Choose the counterbox and steam diffuser model



SMART GLASS

(glass)



SMART CAMOUFLAGE

(to be covered)

IT IS NECESSARY TO ORDER 4 PIECES

|                           |               |              |
|---------------------------|---------------|--------------|
| Steam diffuser counterbox | CH 90 00 0187 | € 130,00 x 4 |
| Glass                     | CH 75 00 0017 | € 390,00 x 4 |
| Camouflage                | CH 75 00 0042 | € 400,00 x 4 |



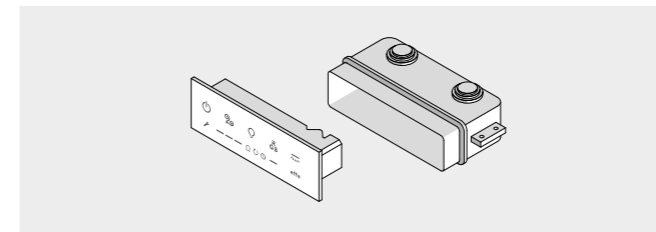
TRADITIONAL

IT IS NECESSARY TO ORDER 8 PIECES

|                    |               |              |
|--------------------|---------------|--------------|
| Chrome             | CH 75 00 0001 | € 95,00 x 8  |
| Black matt PVD     | CH 75 00 0038 | € 110,00 x 8 |
| Matt Gun Metal PVD | CH 75 00 0045 | € 150,00 x 8 |

# Options

NOTE: NUVOLA SMART 250 CAN POWER UP TO 4 OPTIONAL CEILING LIGHT FITTINGS OF YOUR CHOICE FROM THE ESS - EFFE SOUND SYSTEM, COLOUR THERAPY AND WHITE LIGHT.



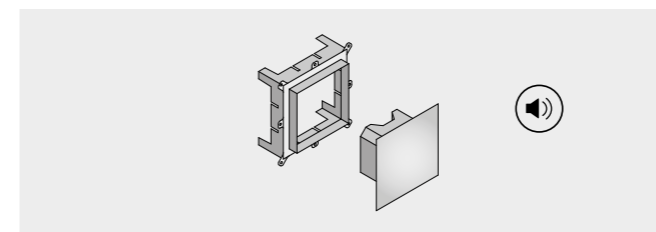
## Additional remote touch-screen control panel

Control panel dimensions: cm 18 x 6

Mounting box dimensions: cm 19 x 8 x 4,3 h

with Schlüter waterproofing mat

|                                   |               |          |
|-----------------------------------|---------------|----------|
| Counterbox                        | CH 90 00 0182 | € 32,00  |
| Remote touch-screen control panel | ME 60 00 0042 | € 605,00 |
| Total Price                       |               | € 637,00 |



## Ceiling light fixture with colour therapy, white light and passive loudspeakers

Light fixture dimensions: cm 20 x 20 x 2

Mounting box dimensions: cm 20,5 x 20,5 x 10,6 h

with Schlüter waterproofing mat

IP X5 class - Built-in loudspeakers, each 2W - 8 Ohm - 3.000 K

More information

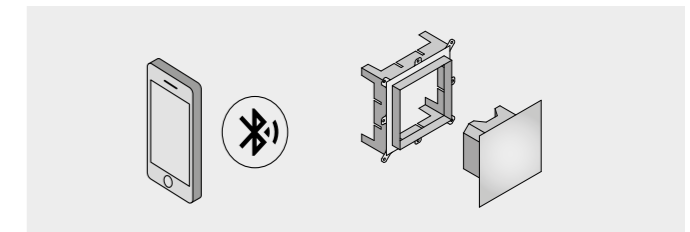
|                                 |               |            |
|---------------------------------|---------------|------------|
| Counterbox                      | CH 90 00 0174 | € 73,00    |
| Colour therapy and loudspeakers | HA 70 10 0005 | € 1.300,00 |
| Total Price                     |               | € 1.373,00 |



## Home-Automation Device

Enables the product to be connected to and integrated with home-automation systems (power pack included).

|                        |               |          |
|------------------------|---------------|----------|
| Home-Automation Device | ME 99 00 0421 | € 775,00 |
|------------------------|---------------|----------|



## ESS - Effe Sound System

### Kit with colour therapy, white light and Bluetooth speakers

Light fixture dimensions: cm 20 x 20 x 2

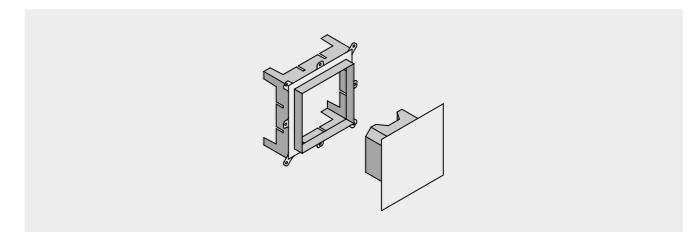
Mounting box dimensions: cm 20,5 x 20,5 x 10,6 h

with Schlüter waterproofing mat

IP X5 class - Built-in loudspeakers, each 2W - 8 Ohm

More information

|                                    |               |            |
|------------------------------------|---------------|------------|
| Counterbox                         | CH 90 00 0174 | € 73,00    |
| ESS kit with ceiling light fitting | HA 70 10 0008 | € 1.815,00 |
| Total Price                        |               | € 1.888,00 |



## White light fixture

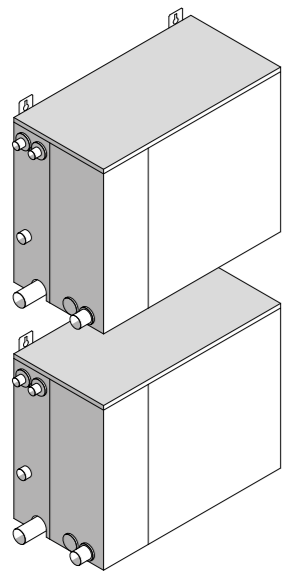
Light fixture dimensions: cm 20 x 20 x 2

Mounting box dimensions: cm 20,5 x 20,5 x 10,6 h

with Schlüter waterproofing mat - IP X5 class - 3.000 K

|                     |               |          |
|---------------------|---------------|----------|
| Counterbox          | CH 90 00 0174 | € 73,00  |
| White light fixture | HA 70 00 0009 | € 655,00 |
| Total Price         |               | € 728,00 |

# NUVOLA SMART 360



## STEAM GENERATOR

Dimensions: cm 52 x 26 x 95 h

Features:

- > RWF Regulating water flow - Can work on a wide range of water systems with different pressures
- > SWF Smart Water Filling - Optimised management of boiler filling
- > SBC Smart Boiler Cleaning - Dilution and intermediate rinsing processes not time controlled but based on real need
- > SEC Smart Energy Control - Evenly spaced on/off periods for the heating elements
- > ODS Open Door Sensor - Open Door Sensor
- > ECC 5.0 - Effe Comfort Control - This system is incorporated into every Effe steam generator so that the turkish bath can be remotely controlled, just download the app "MY EFFE" to your tablet or smartphone.
- > Diverter carrying water to the outlet

## REMOTE TOUCH-SCREEN CONTROL PANEL

Control panel dimensions: cm 18 x 6

Mounting box dimensions: cm 19 x 8 x 4,3 h with Schlüter waterproofing mat

Price for the replacement of the internal standard control panel with backlit icons and temperature gauge

## STEAM DIFFUSER SMART GLASS AND CAMOUFLAGE (4 pcs.)

Mounting box: cm 18 x 10 x 15,2 h

with Schlüter waterproofing mat

Diffuser: cm 18,2 x 4,5 x 12,3 h

Features:

- > GLASS: glass front
- > CAMOUFLAGE: custom clad front, max thickness of cladding, including adhesive, 13 mm
- > Adjustable flaps to control the outgoing steam direction
- > Cubicle air-recirculation system built into the water-resistant fan
- > Essential oils container
- > Steam output led light
- > Additional temperature probe inside the diffuser

## TRADITIONAL STEAM DIFFUSER (8 pcs.)

Ø 5 x 3.5 cm with built-in container for essential oils

## VIRTUAL DOOR-OPEN SENSOR

The generator automatically interrupts steam distribution when the door is left open for a long time.

TO RECEIVE THE COMPLETE SYSTEM YOU KINDLY  
NEED TO ORDER A+B+C

### A NUVOLA SMART 360

Space volume (cubic metres): 35 - 50 in insulated space with the use of 3 cm thick insulation panels

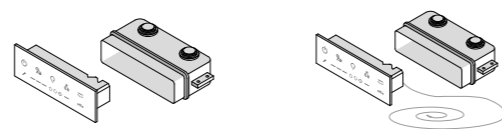
Power: 36,0 kW max - 230Vac 1N 50-60Hz - 400Vac 3N 50-60Hz

Steam generation: 52,4 Kg/h max

|                  |               |             |
|------------------|---------------|-------------|
| Nuvola Smart 360 | HA 50 50 0136 | € 11.200,00 |
|------------------|---------------|-------------|

### B CONTROL PANELS

Choose the counterbox and the control panel model



|  |               |          |
|--|---------------|----------|
| Panel counterbox                                     | CH 90 00 0182 | € 32,00  |
| Internal control panel                               | ME 60 00 0042 | € 605,00 |
| External control panel with remote temperature probe | ME 60 00 0049 | € 860,00 |

### C STEAM DIFFUSER

Choose the counterbox and steam diffuser model



**SMART GLASS**

(glass)

**SMART CAMOUFLAGE**

(to be covered)

IT IS NECESSARY TO ORDER 4 PIECES

|                           |               |              |
|---------------------------|---------------|--------------|
| Steam diffuser counterbox | CH 90 00 0187 | € 130,00 x 4 |
| Glass                     | CH 75 00 0017 | € 390,00 x 4 |
| Camouflage                | CH 75 00 0042 | € 400,00 x 4 |



**TRADITIONAL**

IT IS NECESSARY TO ORDER 8 PIECES

|                    |               |              |
|--------------------|---------------|--------------|
| Chrome             | CH 75 00 0001 | € 95,00 x 8  |
| Black matt PVD     | CH 75 00 0038 | € 110,00 x 8 |
| Matt Gun Metal PVD | CH 75 00 0045 | € 150,00 x 8 |

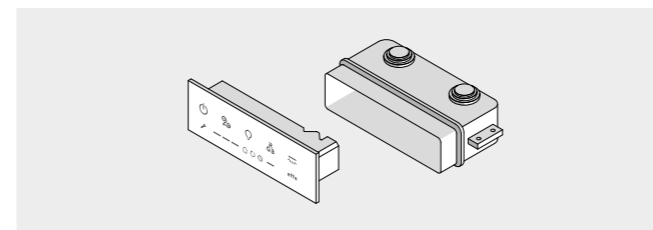
ATTENTION:

On request, Effe can support of steam generators for more than 50 m³ volumes.

[Technical card download](#)

# Options

NOTE: NUVOLA SMART 250 CAN POWER UP TO 4 OPTIONAL CEILING LIGHT FITTINGS OF YOUR CHOICE FROM THE ESS - EFFE SOUND SYSTEM, COLOUR THERAPY AND WHITE LIGHT.

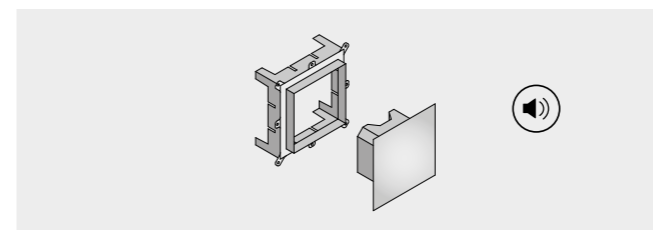


## Additional remote touch-screen control panel

Control panel dimensions: cm 18 x 6

Mounting box dimensions: cm 19 x 8 x 4,3 h with Schlüter waterproofing mat

|                                   |               |                 |
|-----------------------------------|---------------|-----------------|
| Counterbox                        | CH 90 00 0182 | € 32,00         |
| Remote touch-screen control panel | ME 60 00 0042 | € 605,00        |
| <b>Total Price</b>                |               | <b>€ 637,00</b> |



## Ceiling light fixture with colour therapy, white light and passive loudspeakers

Light fixture dimensions: cm 20 x 20 x 2

Mounting box dimensions: cm 20,5 x 20,5 x 10,6 h

with Schlüter waterproofing mat

IP X5 class - Built-in loudspeakers, each 2W - 8 Ohm - 3.000 K

[More information](#)

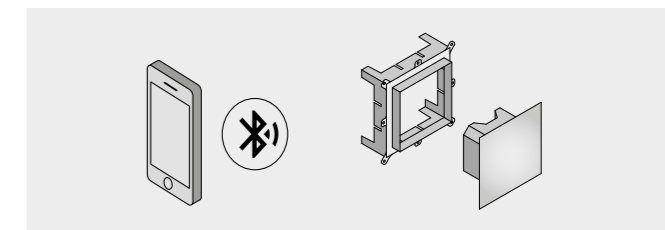
|                                 |               |                   |
|---------------------------------|---------------|-------------------|
| Counterbox                      | CH 90 00 0174 | € 73,00           |
| Colour therapy and loudspeakers | HA 70 10 0005 | € 1.300,00        |
| <b>Total Price</b>              |               | <b>€ 1.373,00</b> |



## Home-Automation Device

Enables the product to be connected to and integrated with home-automation systems (power pack included).

|                        |               |          |
|------------------------|---------------|----------|
| Home-Automation Device | ME 99 00 0421 | € 775,00 |
|------------------------|---------------|----------|



## ESS - Effe Sound System

### Kit with colour therapy, white light and Bluetooth speakers

Light fixture dimensions: cm 20 x 20 x 2

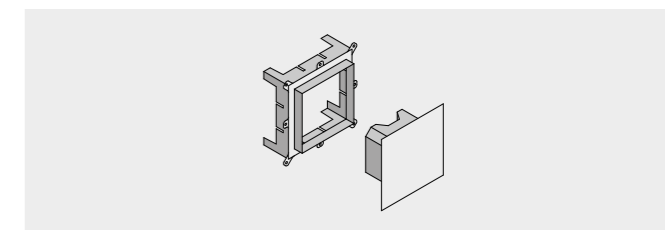
Mounting box dimensions: cm 20,5 x 20,5 x 10,6 h

with Schlüter waterproofing mat

IP X5 class - Built-in loudspeakers, each 2W - 8 Ohm

[More information](#)

|                                    |               |                   |
|------------------------------------|---------------|-------------------|
| Counterbox                         | CH 90 00 0174 | € 73,00           |
| ESS kit with ceiling light fitting | HA 70 10 0008 | € 1.815,00        |
| <b>Total Price</b>                 |               | <b>€ 1.888,00</b> |



## White light fixture

Light fixture dimensions: cm 20 x 20 x 2

Mounting box dimensions: cm 20,5 x 20,5 x 10,6 h

with Schlüter waterproofing mat - IP X5 class - 3.000 K

|                     |               |                 |
|---------------------|---------------|-----------------|
| Counterbox          | CH 90 00 0174 | € 73,00         |
| White light fixture | HA 70 00 0009 | € 655,00        |
| <b>Total Price</b>  |               | <b>€ 728,00</b> |

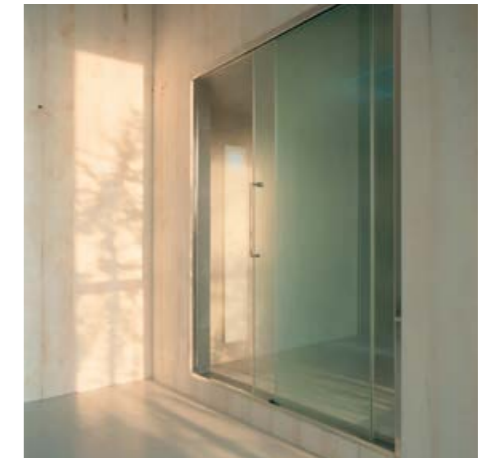
# Porte e vetrate



Porta  
Tuttovetro Inside



porta  
Adapta



porta  
Spazioslide



porta  
Spaziofilo



porta  
Tuttovetro  
Contour



porta  
Spazio

44 **Adapta**  
porta in acciaio inox  
realizzabile su misura

48 **Spazioslide**  
porta scorrevole  
acciaio inox lucido

50 **Spaziofilo**  
porta a filo pavimento  
acciaio inox lucido

54 **Spazio**  
acciaio inox lucido

56 **Tuttovetro Inside**  
porta in alluminio  
realizzabile su misura

61 **Tuttovetro Contour**  
porta in alluminio  
realizzata su misura

# ADAPTA 70

[Più informazioni: www.effe.it](http://www.effe.it)**DIMENSIONI PORTA**

cm 70 x 200 h

**MATERIALI**

- > Profili inox
- > Vetro temperato trasparente 8 mm
- > Cerniere

**CARATTERISTICHE**

- > Regolazione in larghezza e in altezza +/- 10mm
- > Montaggio sul finito
- > Porta con chiusura a battente
- > Filo pavimento con profilo di tenuta
- > Cerniere su montante con apertura a 90°
- > Sistema di guarnizioni per tenuta a vapore
- > Raggio di apertura 66 cm
- > Finiture:
  - Inox lucido
  - Inox satinato

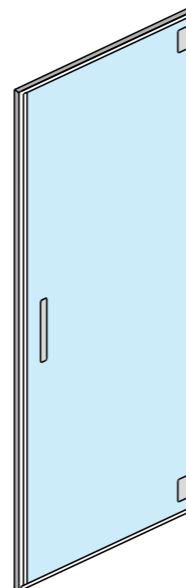
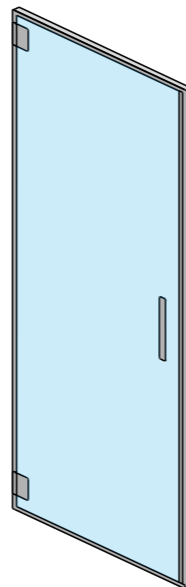
**ADAPTA 70 DX**

|               |               |            |
|---------------|---------------|------------|
| Inox lucido   | HP 90 04 0001 | € 2.100,00 |
| Inox satinato | HP 90 05 0001 | € 2.100,00 |

**ADAPTA 70 SX**

|               |               |            |
|---------------|---------------|------------|
| Inox lucido   | HP 90 04 0002 | € 2.100,00 |
| Inox satinato | HP 90 05 0002 | € 2.100,00 |

Disponibili su richiesta finiture PVD: rame satinato, bronzo satinato, nero satinato  
Con supplemento costo di € 1.400

[Download scheda tecnica](#)

# ADAPTA 120

[Più informazioni: www.effe.it](http://www.effe.it)**DIMENSIONI PORTA**

cm 120 x 200 h

**MATERIALI**

- > Profili inox
- > Vetro temperato trasparente 8 mm
- > Cerniere

**CARATTERISTICHE**

- > Regolazione in larghezza e in altezza +/- 10mm
- > Montaggio sul finito
- > Porta con chiusura a battente
- > Filo pavimento con profilo di tenuta
- > Cerniere su montante con apertura a 90°
- > Sistema di guarnizioni per tenuta a vapore
- > Raggio di apertura 66 cm
- > Finiture:
  - Inox lucido
  - Inox satinato

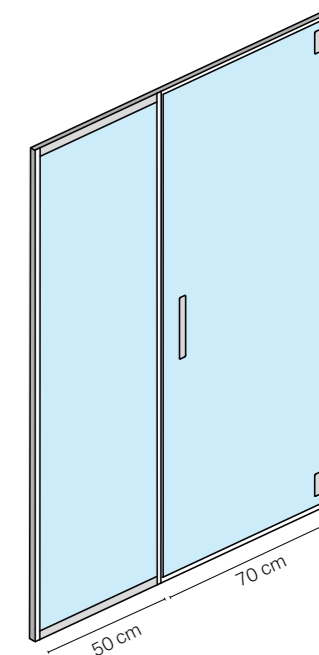
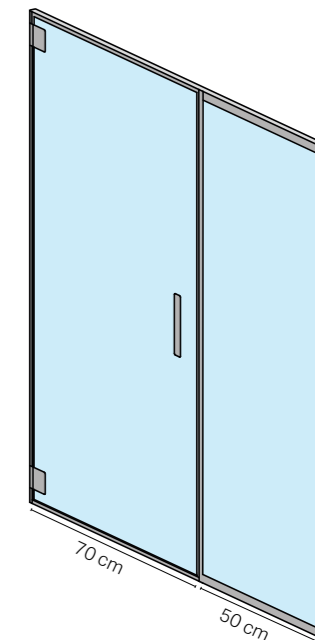
**ADAPTA 120 DX**

|               |               |            |
|---------------|---------------|------------|
| Inox lucido   | HP 90 04 0003 | € 3.050,00 |
| Inox satinato | HP 90 05 0003 | € 3.050,00 |

**ADAPTA 120 SX**

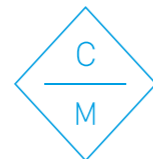
|               |               |            |
|---------------|---------------|------------|
| Inox lucido   | HP 90 04 0004 | € 3.050,00 |
| Inox satinato | HP 90 05 0004 | € 3.050,00 |

Disponibili su richiesta finiture PVD: rame satinato, bronzo satinato, nero satinato  
Con supplemento costo di € 2.310

[Download scheda tecnica](#)

# ADAPTA

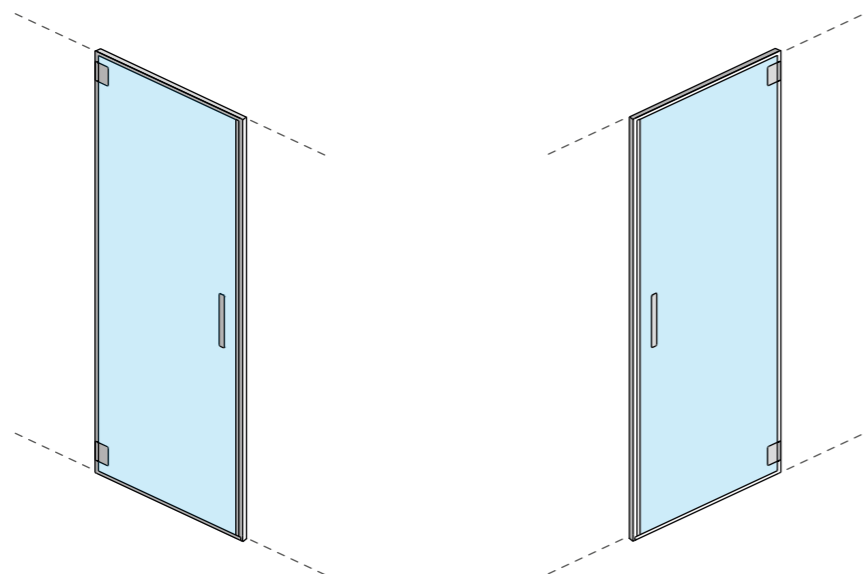
## Su misura



### DIMENSIONI PORTA

cm 70 x 200 h

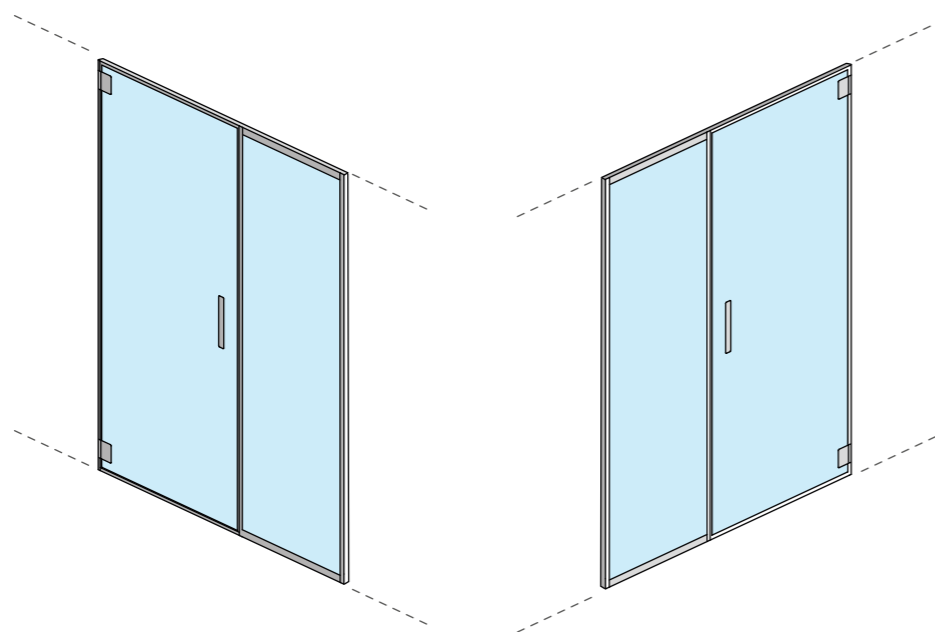
+/- 20 cm in larghezza  
+ 10% dal prezzo di listino



### DIMENSIONI PORTA

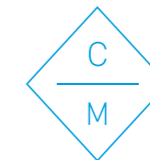
cm 120 x 200 h

+/- 20 cm in larghezza  
+ 15% dal prezzo di listino



# ADAPTA

## Su misura



Disponibili su richiesta finiture PVD:



Rame satinato

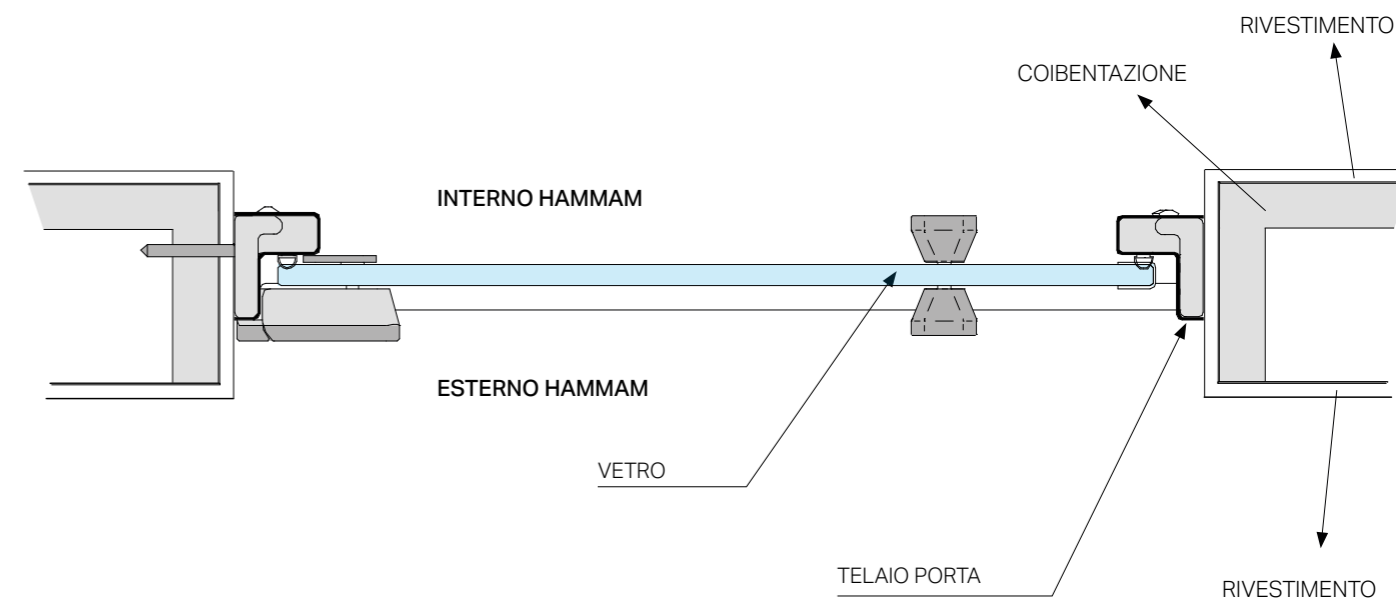


Bronzo satinato



Nero satinato

## Informazioni Tecniche



# SPAZIOSLIDE 130

[Download scheda tecnica](#)**DIMENSIONI PORTA**

cm 130 x 200 h

**DIMENSIONI CONTROTELAIO**

cm 138 x 208 h

**MATERIALI**

Telaio in alluminio  
 Cover in acciaio inox lucido  
 Maniglia in acciaio inox lucido  
 Vetro temperato trasparente 8 mm

**CARATTERISTICHE**

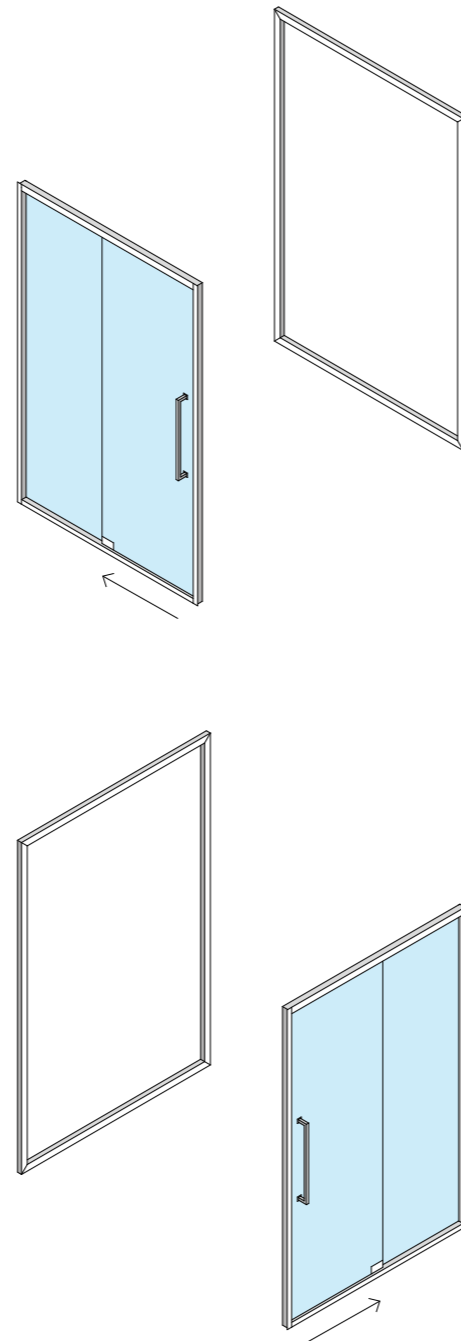
Apertura scorrevole  
 Disponibile in versione destra o sinistra  
 Montaggio su controtelaio  
 Aerazione inferiore  
 Luce netta di passaggio 54 cm

**SPAZIOSLIDE 130 DX**

|                       |               |                   |
|-----------------------|---------------|-------------------|
| Controtelaio          | HA 85 25 0002 | € 775,00          |
| Porta versione destra | HA 20 01 0006 | € 3.895,00        |
| <b>Prezzo Totale</b>  |               | <b>€ 4.670,00</b> |

**SPAZIOSLIDE 130 SX**

|                         |               |                   |
|-------------------------|---------------|-------------------|
| Controtelaio            | HA 85 25 0002 | € 775,00          |
| Porta versione sinistra | HA 20 01 0004 | € 3.895,00        |
| <b>Prezzo Totale</b>    |               | <b>€ 4.670,00</b> |



# SPAZIOSLIDE 160

[Download scheda tecnica](#)**DIMENSIONI PORTA**

cm 160 x 200 h

**DIMENSIONI CONTROTELAIO**

cm 168 x 208 h

**MATERIALI**

Telaio in alluminio  
 Cover in acciaio inox lucido  
 Maniglia in acciaio inox lucido  
 Vetro temperato trasparente 8 mm

**CARATTERISTICHE**

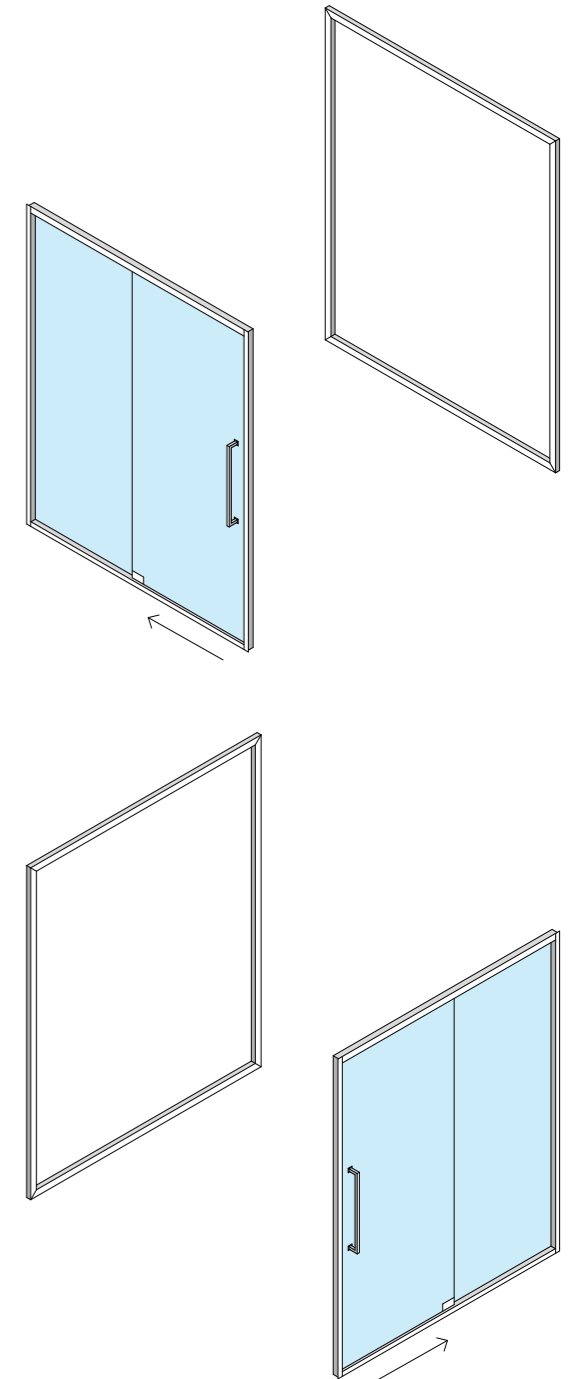
Apertura scorrevole  
 Disponibile in versione destra o sinistra  
 Montaggio su controtelaio  
 Aerazione inferiore  
 Luce netta di passaggio 71 cm

**SPAZIOSLIDE 160 DX**

|                       |               |                   |
|-----------------------|---------------|-------------------|
| Controtelaio          | HA 85 25 0001 | € 850,00          |
| Porta versione destra | HA 20 01 0005 | € 4.130,00        |
| <b>Prezzo Totale</b>  |               | <b>€ 4.980,00</b> |

**SPAZIOSLIDE 160 SX**

|                         |               |                   |
|-------------------------|---------------|-------------------|
| Controtelaio            | HA 85 25 0001 | € 850,00          |
| Porta versione sinistra | HA 20 01 0003 | € 4.130,00        |
| <b>Prezzo Totale</b>    |               | <b>€ 4.980,00</b> |



# SPAZIOFILO 80

[Download scheda tecnica](#)**DIMENSIONI PORTA**

cm 80 x 198 h

**DIMENSIONI CONTROTELAIO**

cm 88 x 202 h

**MATERIALI**

Telaio in alluminio  
 Cover in acciaio inox lucido  
 Maniglia in acciaio inox lucido  
 Vetro temperato trasparente 8 mm

**CARATTERISTICHE**

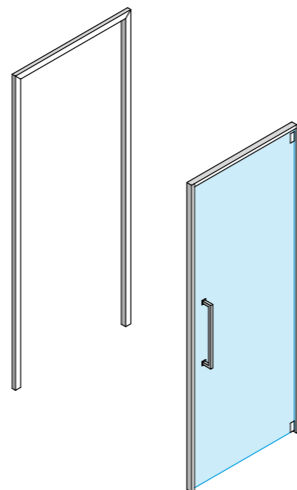
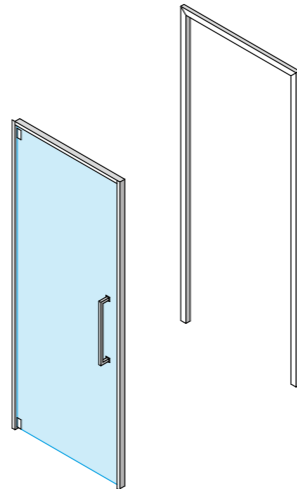
Porta con apertura classica  
 A filo pavimento  
 Disponibile in versione destra o sinistra  
 Montaggio su controtelesiaio  
 Aerazione inferiore  
 Raggio d'apertura 75 cm

**SPAZIOFILO 80 DX**

|                       |               |                   |
|-----------------------|---------------|-------------------|
| Controtelesiaio       | HA 85 35 0001 | € 530,00          |
| Porta versione destra | HA 30 01 0004 | € 2.395,00        |
| <b>Prezzo Totale</b>  |               | <b>€ 2.925,00</b> |

**SPAZIOFILO 80 SX**

|                         |               |                   |
|-------------------------|---------------|-------------------|
| Controtelesiaio         | HA 85 35 0001 | € 530,00          |
| Porta versione sinistra | HA 30 01 0007 | € 2.395,00        |
| <b>Prezzo Totale</b>    |               | <b>€ 2.925,00</b> |



# SPAZIOFILO 100

[Download scheda tecnica](#)**DIMENSIONI PORTA**

cm 100 x 198 h

**DIMENSIONI CONTROTELAIO**

cm 108 x 202 h

**MATERIALI**

Telaio in alluminio  
 Cover in acciaio inox lucido  
 Maniglia in acciaio inox lucido  
 Vetro temperato trasparente 8 mm

**CARATTERISTICHE**

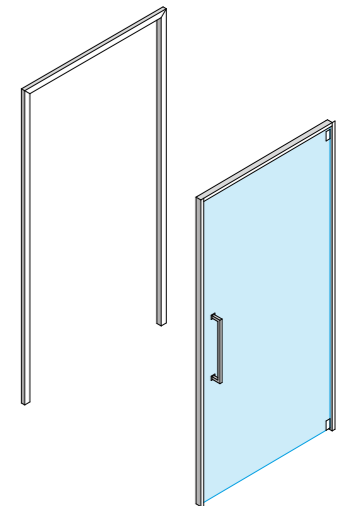
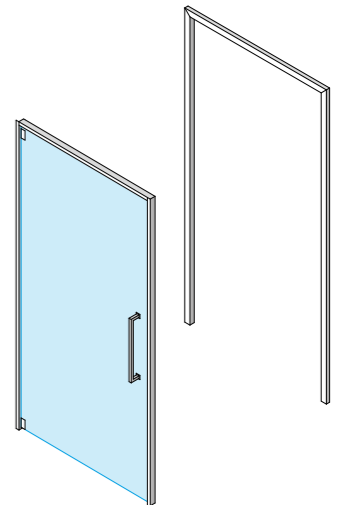
Porta con apertura classica  
 A filo pavimento  
 Disponibile in versione destra o sinistra  
 Montaggio su controtelesiaio  
 Aerazione inferiore  
 Raggio d'apertura 95 cm

**SPAZIOFILO 100 DX**

|                       |               |                   |
|-----------------------|---------------|-------------------|
| Controtelesiaio       | HA 85 35 0019 | € 580,00          |
| Porta versione destra | HA 30 01 0019 | € 3.225,00        |
| <b>Prezzo Totale</b>  |               | <b>€ 3.805,00</b> |

**SPAZIOFILO 100 SX**

|                         |               |                   |
|-------------------------|---------------|-------------------|
| Controtelesiaio         | HA 85 35 0019 | € 580,00          |
| Porta versione sinistra | HA 30 01 0020 | € 3.225,00        |
| <b>Prezzo Totale</b>    |               | <b>€ 3.805,00</b> |



# SPAZIOFILO 120

[Download scheda tecnica](#)**DIMENSIONI PORTA**

cm 120 x 198 h

**DIMENSIONI CONTROTELAIO**

cm 128 x 202 h

**MATERIALI**

Telaio in alluminio  
 Cover in acciaio inox lucido  
 Maniglia in acciaio inox lucido  
 Vetro temperato trasparente 8 mm

**CARATTERISTICHE**

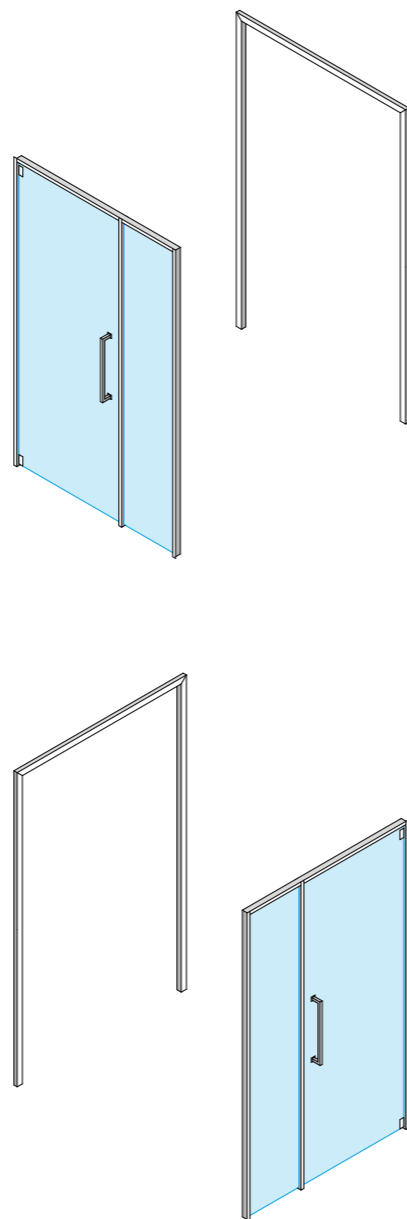
Porta con apertura classica  
 A filo pavimento  
 Disponibile in versione destra o sinistra  
 Montaggio su controtelesiaio  
 Aerazione inferiore  
 Raggio d'apertura 75 cm

**SPAZIOFILO 120 DX**

|                       |               |                   |
|-----------------------|---------------|-------------------|
| Controtelesiaio       | HA 85 35 0002 | € 610,00          |
| Porta versione destra | HA 30 01 0005 | € 3.510,00        |
| <b>Prezzo Totale</b>  |               | <b>€ 4.120,00</b> |

**SPAZIOFILO 120 SX**

|                         |               |                   |
|-------------------------|---------------|-------------------|
| Controtelesiaio         | HA 85 35 0002 | € 610,00          |
| Porta versione sinistra | HA 30 01 0008 | € 3.510,00        |
| <b>Prezzo Totale</b>    |               | <b>€ 4.120,00</b> |



# SPAZIOFILO 160

[Download scheda tecnica](#)**DIMENSIONI PORTA**

cm 160 x 198 h

**DIMENSIONI CONTROTELAIO**

cm 168 x 202 h

**MATERIALI**

Telaio in alluminio  
 Cover in acciaio inox lucido  
 Maniglia in acciaio inox lucido  
 Vetro temperato trasparente 8 mm

**CARATTERISTICHE**

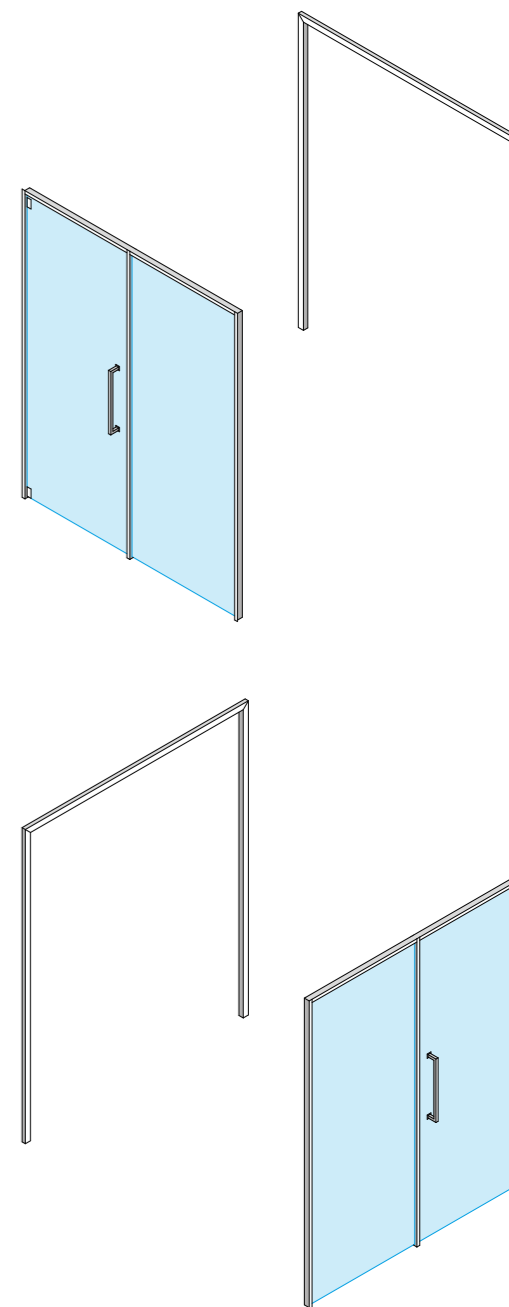
Porta con apertura classica  
 A filo pavimento  
 Disponibile in versione destra o sinistra  
 Montaggio su controtelesiaio  
 Aerazione inferiore  
 Raggio d'apertura 75 cm

**SPAZIOFILO 160 DX**

|                       |               |                   |
|-----------------------|---------------|-------------------|
| Controtelesiaio       | HA 85 35 0003 | € 700,00          |
| Porta versione destra | HA 30 01 0006 | € 3.990,00        |
| <b>Prezzo Totale</b>  |               | <b>€ 4.690,00</b> |

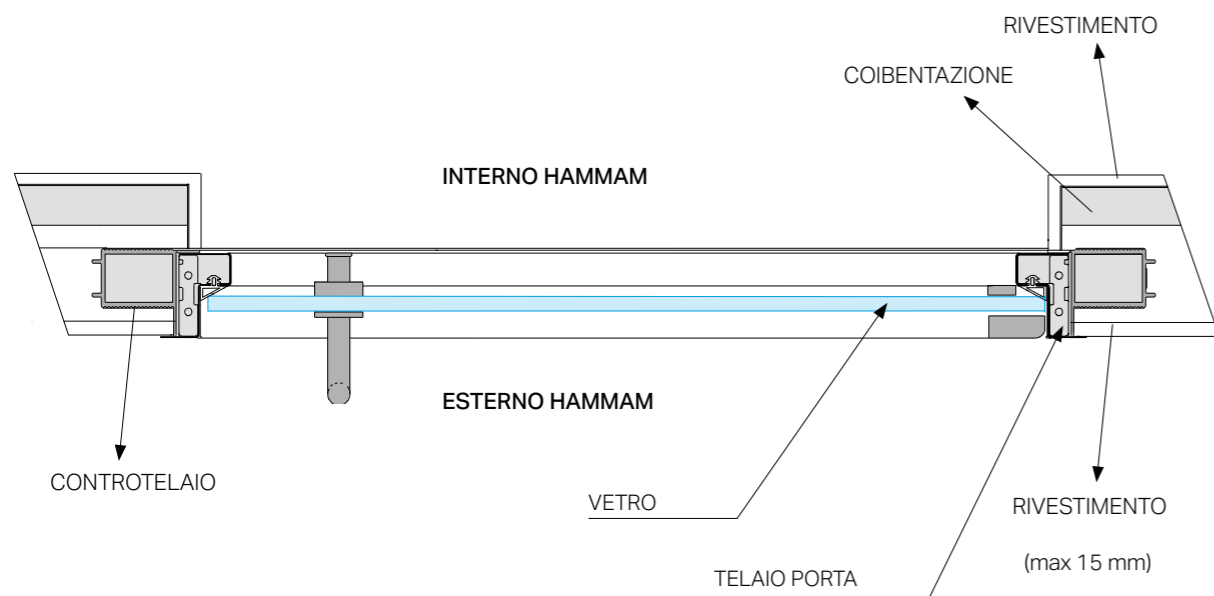
**SPAZIOFILO 160 SX**

|                         |               |                   |
|-------------------------|---------------|-------------------|
| Controtelesiaio         | HA 85 35 0003 | € 700,00          |
| Porta versione sinistra | HA 30 01 0009 | € 3.990,00        |
| <b>Prezzo Totale</b>    |               | <b>€ 4.690,00</b> |



# PORTE E VETRATE SPAZIO

## Informazioni tecniche



## SPAZIO 80

**DIMENSIONI PORTA**  
cm 80 x 200 h

**DIMENSIONI CONTROTELAIO**  
cm 88 x 208 h

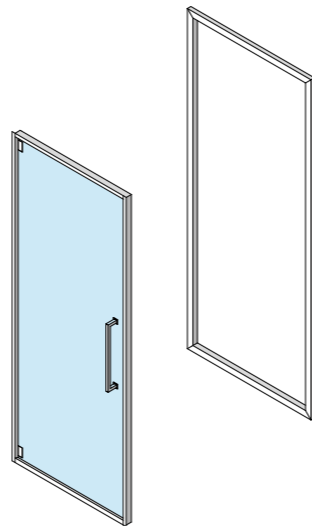
**MATERIALI**  
Telaio in alluminio  
Cover in acciaio inox lucido  
Maniglia in acciaio inox lucido  
Vetro temperato trasparente 8 mm

**CARATTERISTICHE**  
Porta con apertura classica  
Reversibile  
Montaggio su controte­laio  
Aerazione inferiore  
Raggio d'apertura 75 cm

### SPAZIO 80

|                      |               |                   |
|----------------------|---------------|-------------------|
| Controte­laio        | HA 85 40 0477 | € 610,00          |
| Porta                | HA 60 05 0078 | € 2.210,00        |
| <b>Prezzo Totale</b> |               | <b>€ 2.820,00</b> |

[Download scheda tecnica](#)



# SPAZIO 120

**DIMENSIONI PORTA**  
cm 120 x 200 h

**DIMENSIONI CONTROTELAIO**  
cm 128 x 208 h

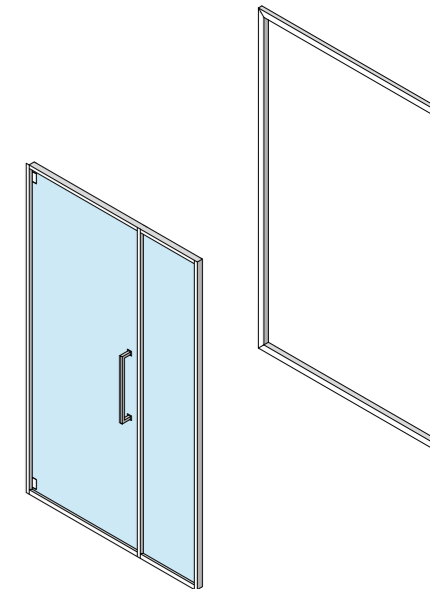
**MATERIALI**  
Telaio in alluminio  
Cover in acciaio inox lucido  
Maniglia in acciaio inox lucido  
Vetro temperato trasparente 8 mm

**CARATTERISTICHE**  
Porta con apertura classica  
Reversibile  
Montaggio su controte­laio  
Aerazione inferiore  
Raggio d'apertura 75 cm

### SPAZIO 120

|                      |               |                   |
|----------------------|---------------|-------------------|
| Controte­laio        | HA 85 40 0518 | € 610,00          |
| Porta                | HA 60 05 0079 | € 3.120,00        |
| <b>Prezzo Totale</b> |               | <b>€ 3.730,00</b> |

[Download scheda tecnica](#)



## SPAZIO 160

**DIMENSIONI PORTA**  
cm 160 x 200 h

**DIMENSIONI CONTROTELAIO**  
cm 168 x 208 h

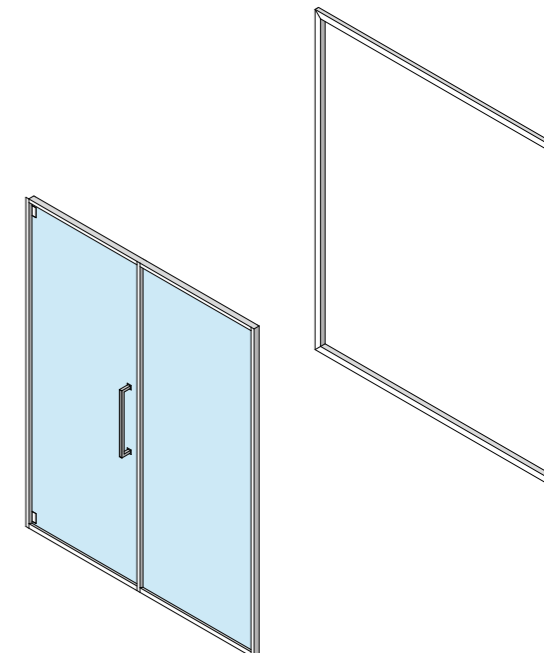
**MATERIALI**  
Telaio in alluminio  
Cover in acciaio inox lucido  
Maniglia in acciaio inox lucido  
Vetro temperato trasparente 8 mm

**CARATTERISTICHE**  
Porta con apertura classica  
Reversibile  
Montaggio su controte­laio  
Aerazione inferiore  
Raggio d'apertura 75 cm

### SPAZIO 160

|                      |               |                   |
|----------------------|---------------|-------------------|
| Controte­laio        | HA 85 40 0793 | € 700,00          |
| Porta                | HA 60 05 0080 | € 3.605,00        |
| <b>Prezzo Totale</b> |               | <b>€ 4.305,00</b> |

[Download scheda tecnica](#)



# TUTTOVETRO INSIDE 70

[Download scheda tecnica](#)

## DIMENSIONI PORTA

cm 70 x 210 h

## DIMENSIONI CONTROTELAIO

cm 77,6 x 217,6 h

## MATERIALI

Finiture disponibili:

profili in alluminio finitura brillantata

profili in alluminio finitura spazzolata

profili in alluminio finitura anodizzata nero opaco

Telaio in alluminio

Vetro temperato trasparente 8 mm

## CARATTERISTICHE

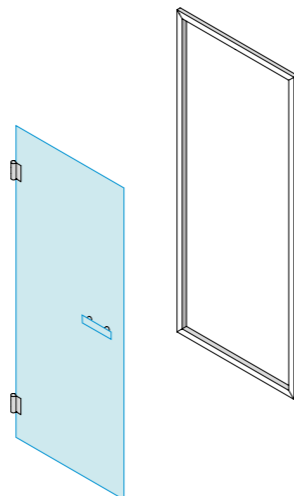
Montaggio su controtelesia

### TUTTOVETRO INSIDE 70 DX

|   |               |                   |
|---|---------------|-------------------|
| Controtelesia                           | HT 60 00 0007 | € 450,00          |
| Porta in alluminio finitura brillantata | HP 60 03 0007 | € 1.985,00        |
| <b>Prezzo Totale</b>                    |               | <b>€ 2.435,00</b> |

|  |               |                   |
|--|---------------|-------------------|
| Controtelesia                          | HT 60 00 0007 | € 450,00          |
| Porta in alluminio finitura spazzolata | HP 60 01 0007 | € 2.420,00        |
| <b>Prezzo Totale</b>                   |               | <b>€ 2.870,00</b> |

|   |               |                   |
|---|---------------|-------------------|
| Controtelesia                                     | HT 60 00 0007 | € 450,00          |
| Porta in alluminio finitura anodizzata nero opaco | HP 60 02 0007 | € 2.795,00        |
| <b>Prezzo Totale</b>                              |               | <b>€ 3.245,00</b> |

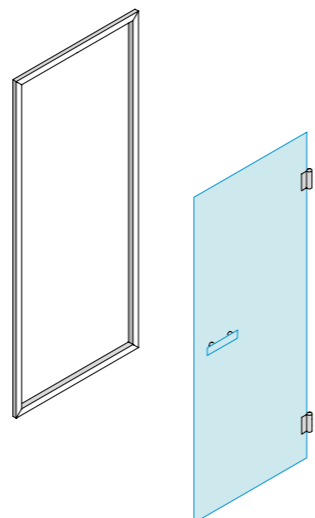


### TUTTOVETRO INSIDE 70 SX

|   |               |                   |
|---|---------------|-------------------|
| Controtelesia                           | HT 60 00 0008 | € 450,00          |
| Porta in alluminio finitura brillantata | HP 60 03 0008 | € 1.985,00        |
| <b>Prezzo Totale</b>                    |               | <b>€ 2.435,00</b> |

|  |               |                   |
|--|---------------|-------------------|
| Controtelesia                          | HT 60 00 0008 | € 450,00          |
| Porta in alluminio finitura spazzolata | HP 60 01 0008 | € 2.420,00        |
| <b>Prezzo Totale</b>                   |               | <b>€ 2.870,00</b> |

|   |               |                   |
|---|---------------|-------------------|
| Controtelesia                                     | HT 60 00 0008 | € 450,00          |
| Porta in alluminio finitura anodizzata nero opaco | HP 60 02 0008 | € 2.795,00        |
| <b>Prezzo Totale</b>                              |               | <b>€ 3.245,00</b> |



# TUTTOVETRO INSIDE 120

[Download scheda tecnica](#)

## DIMENSIONI PORTA

cm 120 x 210 h

## DIMENSIONI CONTROTELAIO

cm 127,6 x 217,6 h

## MATERIALI

Finiture disponibili:

profili in alluminio finitura brillantata

profili in alluminio finitura spazzolata

profili in alluminio finitura anodizzata nero opaco

Telaio in alluminio

Vetro temperato trasparente 8 mm

## CARATTERISTICHE

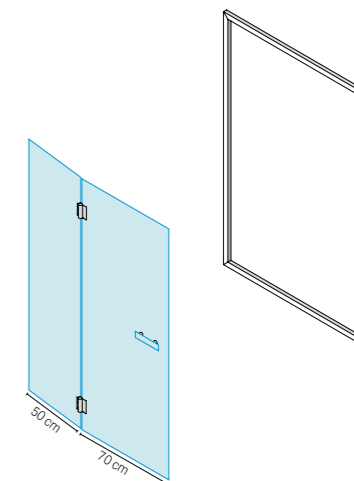
Montaggio su controtelesia

### TUTTOVETRO INSIDE 120 DX

|   |               |                   |
|---|---------------|-------------------|
| Controtelesia                           | HT 60 00 0009 | € 470,00          |
| Porta in alluminio finitura brillantata | HP 60 03 0009 | € 2.335,00        |
| <b>Prezzo Totale</b>                    |               | <b>€ 2.805,00</b> |

|  |               |                   |
|--|---------------|-------------------|
| Controtelesia                          | HT 60 00 0009 | € 470,00          |
| Porta in alluminio finitura spazzolata | HP 60 01 0009 | € 2.875,00        |
| <b>Prezzo Totale</b>                   |               | <b>€ 3.345,00</b> |

|   |               |                   |
|---|---------------|-------------------|
| Controtelesia                                     | HT 60 00 0009 | € 470,00          |
| Porta in alluminio finitura anodizzata nero opaco | HP 60 02 0009 | € 3.280,00        |
| <b>Prezzo Totale</b>                              |               | <b>€ 3.750,00</b> |

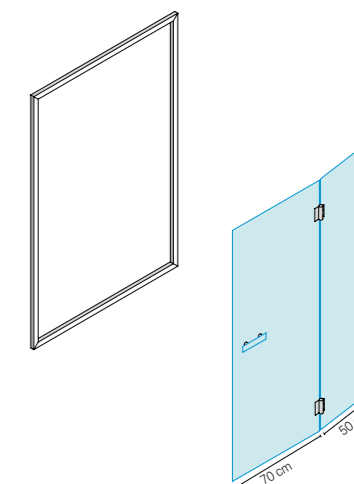


### TUTTOVETRO INSIDE 120 SX

|   |               |                   |
|---|---------------|-------------------|
| Controtelesia                           | HT 60 00 0010 | € 470,00          |
| Porta in alluminio finitura brillantata | HP 60 03 0010 | € 2.335,00        |
| <b>Prezzo Totale</b>                    |               | <b>€ 2.805,00</b> |

|  |               |                   |
|--|---------------|-------------------|
| Controtelesia                          | HT 60 00 0010 | € 470,00          |
| Porta in alluminio finitura spazzolata | HP 60 01 0010 | € 2.875,00        |
| <b>Prezzo Totale</b>                   |               | <b>€ 3.345,00</b> |

|   |               |                   |
|---|---------------|-------------------|
| Controtelesia                                     | HT 60 00 0010 | € 470,00          |
| Porta in alluminio finitura anodizzata nero opaco | HP 60 02 0010 | € 3.280,00        |
| <b>Prezzo Totale</b>                              |               | <b>€ 3.750,00</b> |



# TUTTOVETRO INSIDE 170

[Download scheda tecnica](#)

## DIMENSIONI PORTA

cm 170 x 210 h

## DIMENSIONI CONTROTELAIO

cm 177,6 x 217,6 h

## MATERIALI

Finiture disponibili:  
 profili in alluminio finitura brillantata  
 profili in alluminio finitura spazzolata  
 profili in alluminio finitura anodizzata nero opaco

Telaio in alluminio  
 Vetro temperato trasparente 8 mm

## CARATTERISTICHE

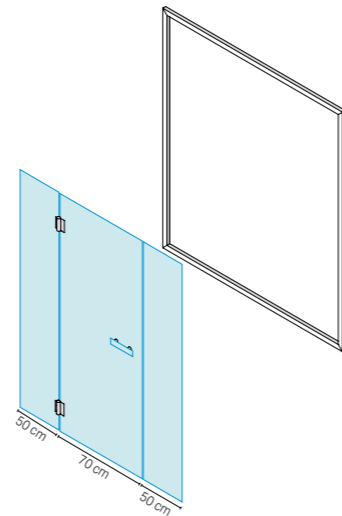
Montaggio su controtelesiaio

### TUTTOVETRO INSIDE 170 DX

|   |               |                   |
|---|---------------|-------------------|
| Controtelesiaio                         | HT 60 00 0011 | € 490,00          |
| Porta in alluminio finitura brillantata | HP 60 03 0011 | € 2.685,00        |
| <b>Prezzo Totale</b>                    |               | <b>€ 3.175,00</b> |

|  |               |                   |
|--|---------------|-------------------|
| Controtelesiaio                        | HT 60 00 0011 | € 490,00          |
| Porta in alluminio finitura spazzolata | HP 60 01 0011 | € 3.305,00        |
| <b>Prezzo Totale</b>                   |               | <b>€ 3.795,00</b> |

|   |               |                   |
|---|---------------|-------------------|
| Controtelesiaio                                   | HT 60 00 0011 | € 490,00          |
| Porta in alluminio finitura anodizzata nero opaco | HP 60 02 0011 | € 3.760,00        |
| <b>Prezzo Totale</b>                              |               | <b>€ 4.250,00</b> |

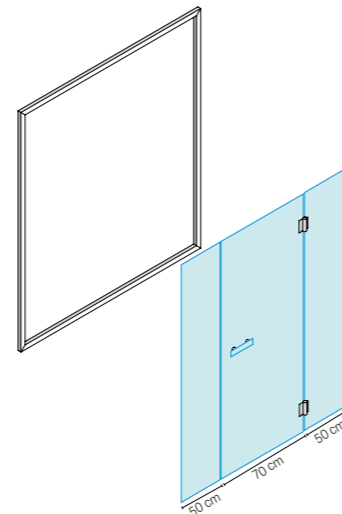


### TUTTOVETRO INSIDE 170 SX

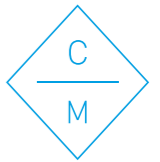
|   |               |                   |
|---|---------------|-------------------|
| Controtelesiaio                         | HT 60 00 0012 | € 490,00          |
| Porta in alluminio finitura brillantata | HP 60 03 0012 | € 2.685,00        |
| <b>Prezzo Totale</b>                    |               | <b>€ 3.175,00</b> |

|  |               |                   |
|--|---------------|-------------------|
| Controtelesiaio                        | HT 60 00 0012 | € 490,00          |
| Porta in alluminio finitura spazzolata | HP 60 01 0012 | € 3.305,00        |
| <b>Prezzo Totale</b>                   |               | <b>€ 3.795,00</b> |

|   |               |                   |
|---|---------------|-------------------|
| Controtelesiaio                                   | HT 60 00 0012 | € 490,00          |
| Porta in alluminio finitura anodizzata nero opaco | HP 60 02 0012 | € 3.760,00        |
| <b>Prezzo Totale</b>                              |               | <b>€ 4.250,00</b> |



# TUTTOVETRO INSIDE



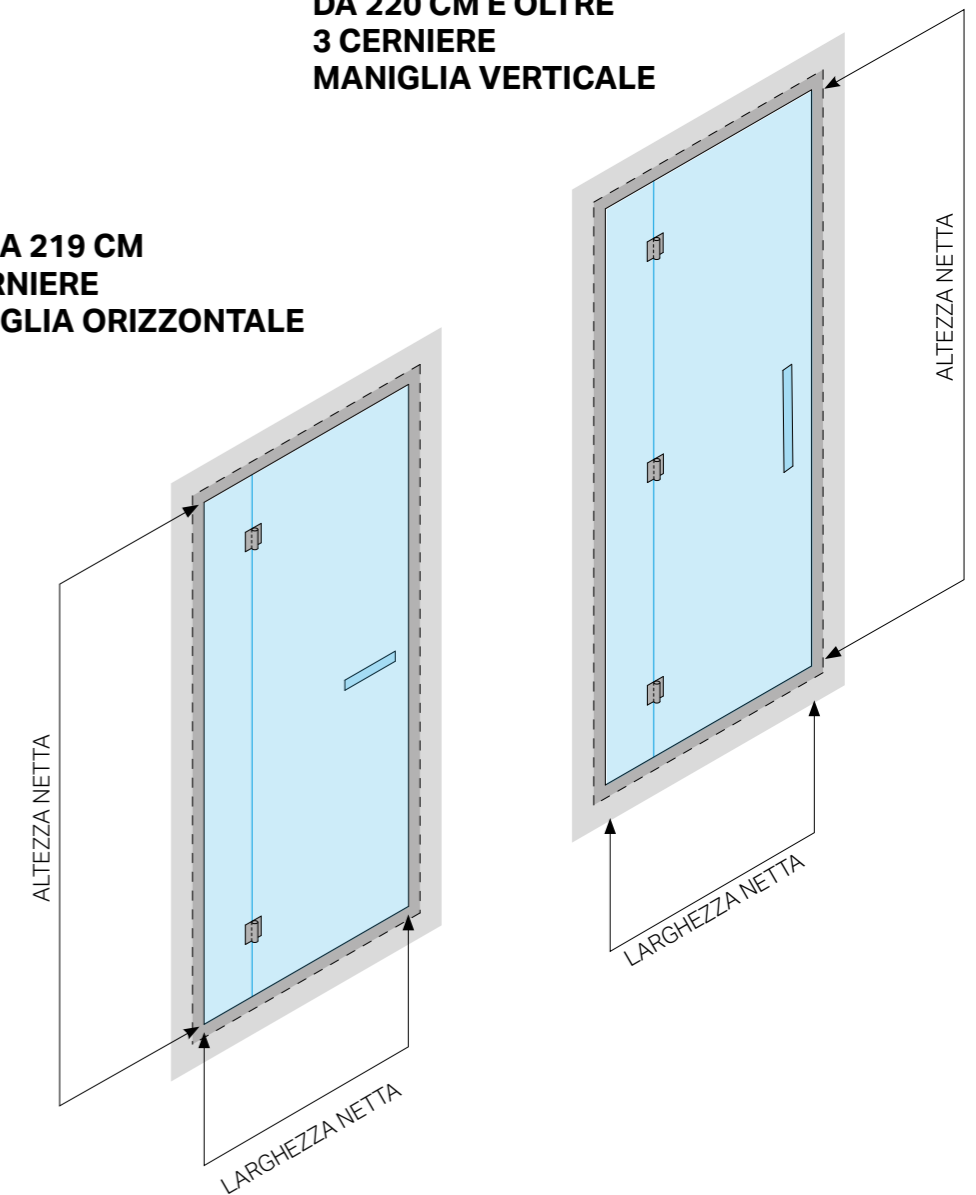
## MATERIALI / CARATTERISTICHE

Altezza massima 250 cm

Larghezza netta / altezza netta =  
 dimensioni del muro finito e piastrellato

**DA 220 CM E OLTRE**  
**3 CERNIERE**  
**MANIGLIA VERTICALE**

**FINO A 219 CM**  
**2 CERNIERE**  
**MANIGLIA ORIZZONTALE**



**ALLUMINIO**  
 profili in alluminio finitura  
 brillantata



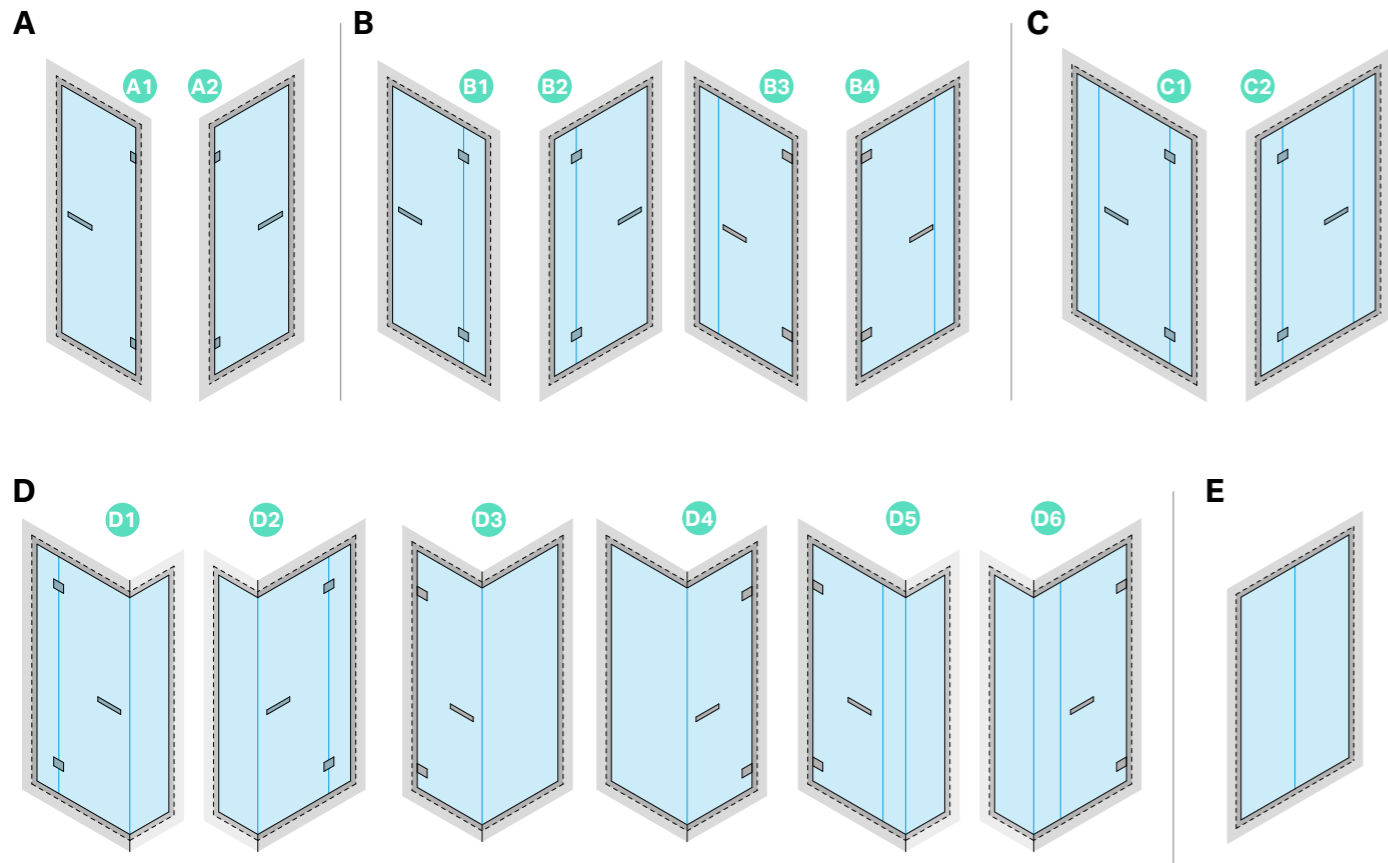
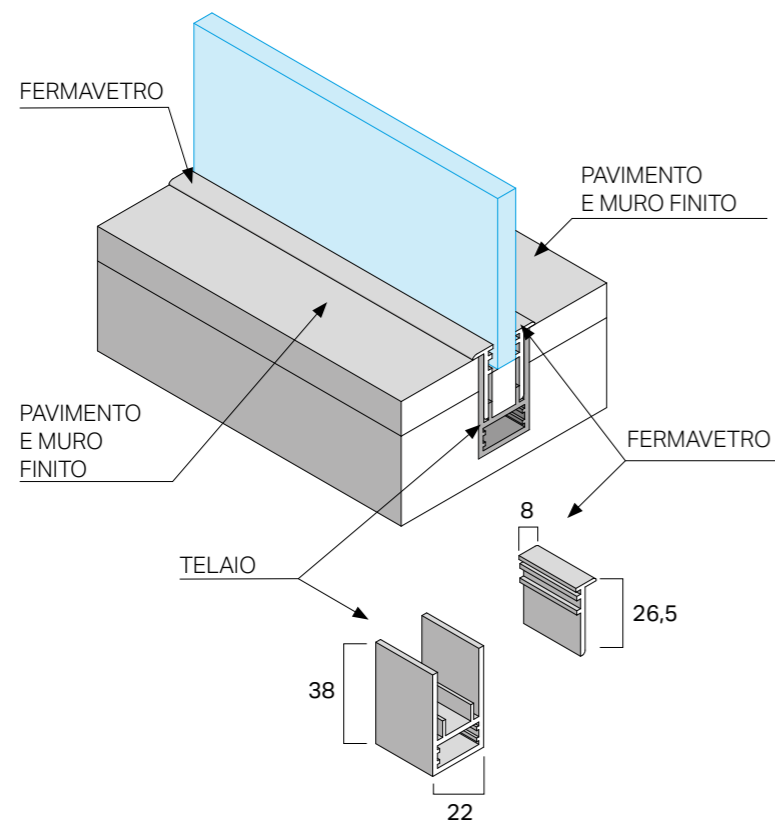
**ALLUMINIO SPAZZOLATO**  
 profili in alluminio finitura  
 spazzolata



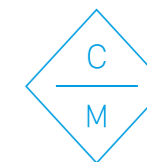
**NERO**  
 profili in alluminio finitura  
 anodizzata nero opaco

SEZIONE

Download scheda tecnica



TUTTOVETRO CONTOUR



MATERIALI / CARATTERISTICHE

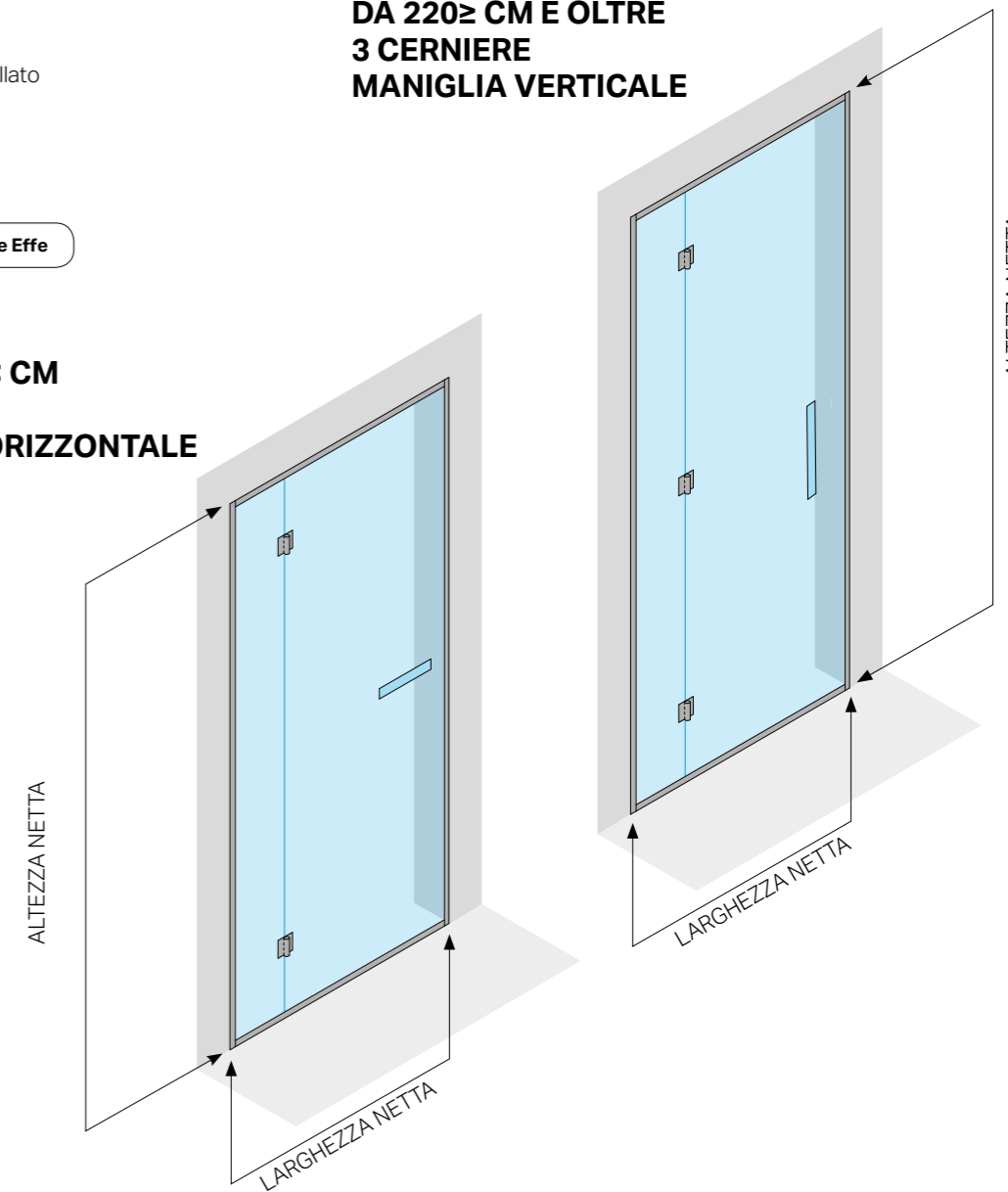
larghezza massima 350 cm\*  
 altezza massima 250 cm

Larghezza netta / altezza netta =  
 dimensioni del muro finito e piastrellato

\* per dimensioni superiori contattare Effe

DA 220 ≥ CM E OLTRE  
 3 CERNIERE  
 MANIGLIA VERTICALE

FINO A 220 < CM  
 2 CERNIERE  
 MANIGLIA ORIZZONTALE



**ALLUMINIO**  
 profili in alluminio finitura  
 brillantata



**ALLUMINIO SPAZZOLATO**  
 profili in alluminio finitura  
 spazzolata

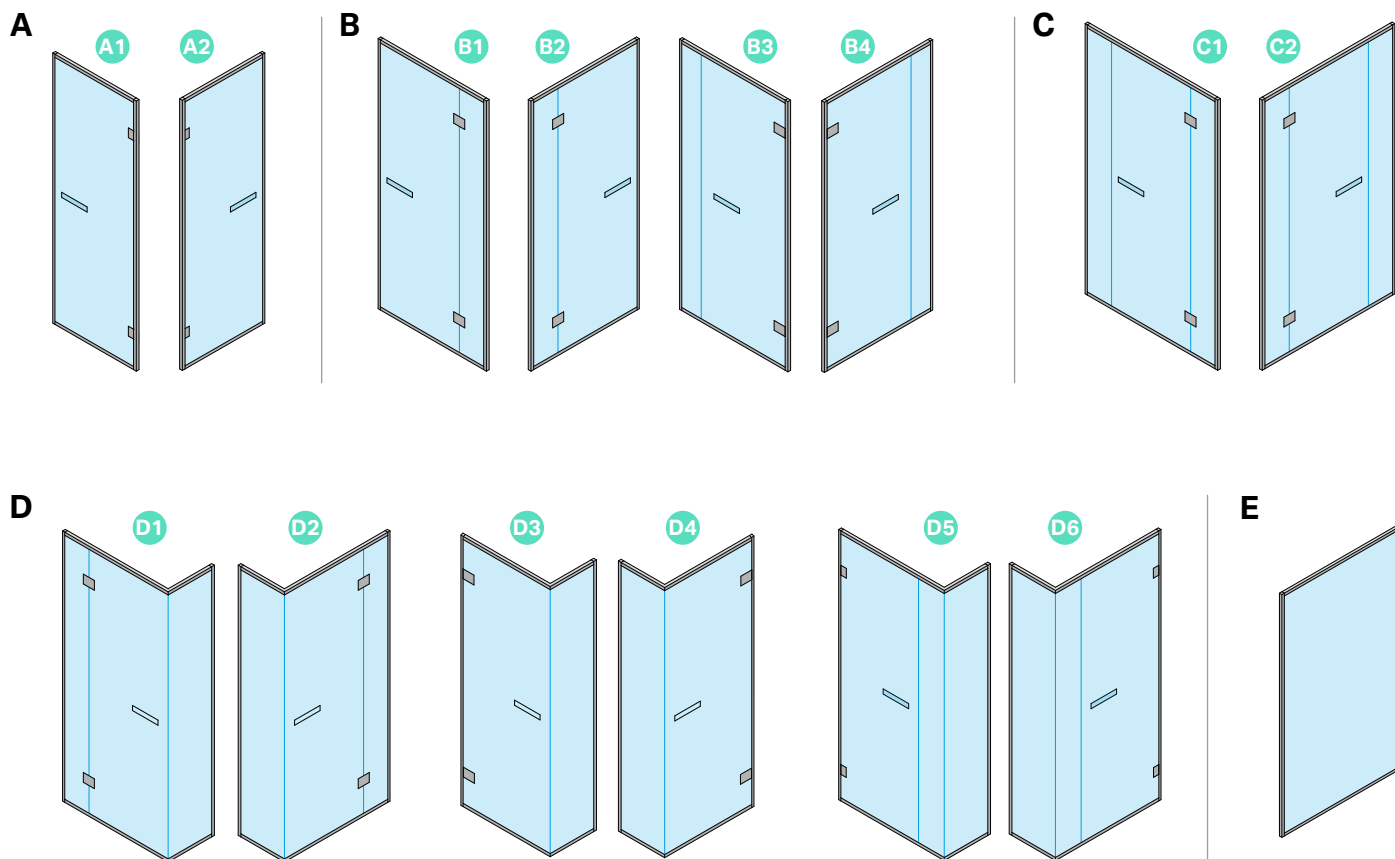
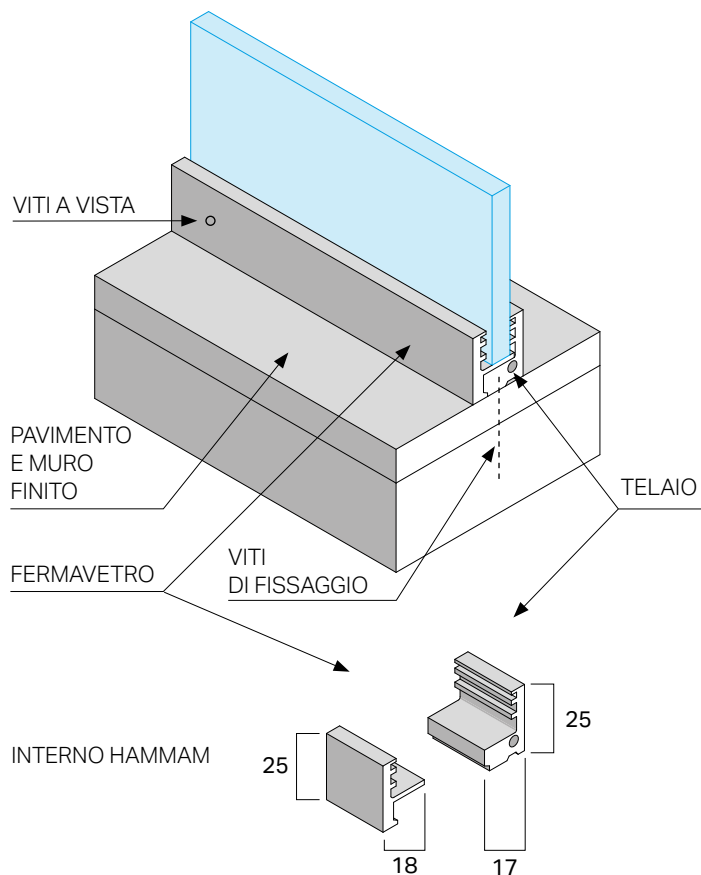


**NERO**  
 profili in alluminio finitura  
 anodizzata nero opaco

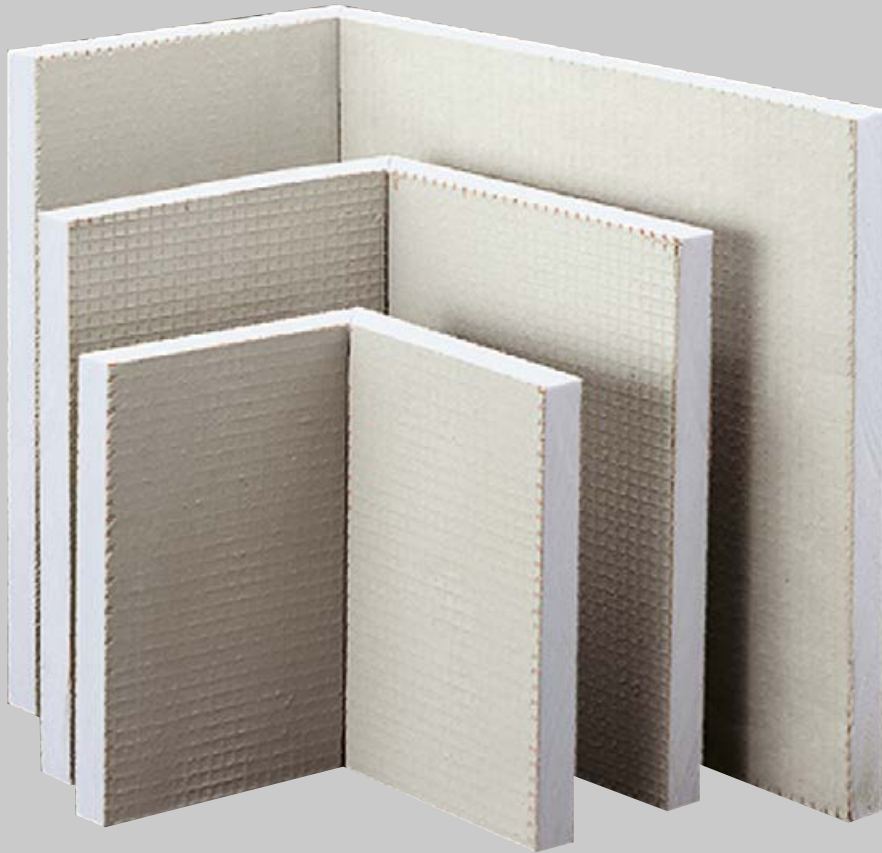
# SEZIONE

ESTERNO HAMMAM

Download scheda tecnica 



# Insulation kit

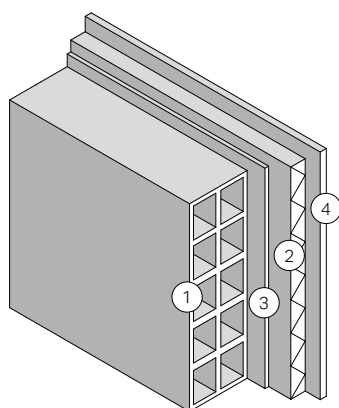


## Insulation kit

| model | surface<br>(square meters) | panels<br>(nr.) |
|-------|----------------------------|-----------------|
| 01    | 12                         | 16              |
| 02    | 15                         | 20              |
| 03    | 21                         | 28              |

# INSULATION KIT

## Technical information



①

Wall : structure in brickwork and/or plasterboard, thickness at the discretion of the contractor. Maximum recommended height 230cm. Closed sloping ceiling (slope 10-15%) or domed to avoid the "rain" effect.

②

Insulation :  
 Very high resistance to compression;  
 Extremely limited exing;  
 Does not absorb water;  
 Stable, durable and will not rot;  
 Easily worked with normal building tools;  
 Excellent thermoacoustic insulation;  
 Provides an excellent support for tiles, applied with thin layer of glue.

③

Glue: glue the insulating panels directly onto the wall with at least 6 gluing points per m2 then, when the glue has hardened, attach with scher plugs, 5 for panel. The adhesive for panel fixing is not supplied We recommend to use KERAKOL H40 or MAPEI KERAFLEX. Treat joints with a net or trim if possible.

④

Covering: Attach tiles, mosaic or any other material using the special glue.

### MATERIALS

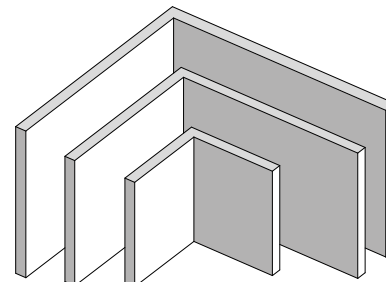
panels size cm 125 x 60

thickness cm 3

Sandwich panels with extruded polystyrene core with mortar reinforced with fibreglass mesh on both sides, can be covered with tiles equipped with fischer wall plugs

#### INSULATIONKIT

|                              |               |            |
|------------------------------|---------------|------------|
| 01 - UP TO 12 M <sup>2</sup> | HA 55 01 0004 | € 1.570,00 |
| 02 - UP TO 15 M <sup>2</sup> | HA 55 02 0002 | € 1.860,00 |
| 03 - UP TO 21 M <sup>2</sup> | HA 55 03 0002 | € 2.430,00 |



# Fittings



- 66 **Mini**
- 67 **Topkapi**
- 68 **Bench ready for the covering of choice**

# MINI

**DIMENSIONS**

cm 48 x 36

**MATERIALS**

Shiny stainless steel

Iroko

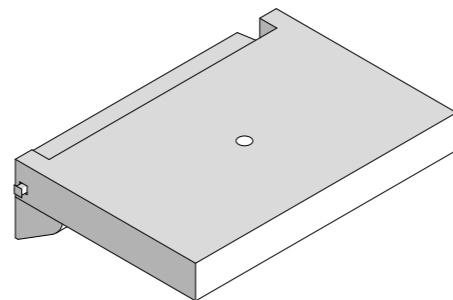
White Cristalplant

**FEATURES**

Foldaway seat

**MINI SEAT**

|              |               |            |
|--------------|---------------|------------|
| Iroko        | HA 65 10 0001 | € 1.025,00 |
| Cristalplant | HA 65 00 0032 | € 990,00   |

[Technical card download](#) 


# TOPKAPI

**DIMENSIONS**

cm 115 x 35 x 44 h

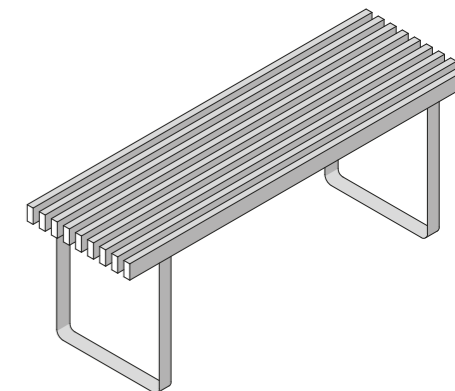
**MATERIALS**

316 stainless steel support

Seat in finish Iroko

**TOPKAPI 115 SEAT**

|       |               |            |
|-------|---------------|------------|
| Iroko | HA 65 10 0021 | € 3.375,00 |
|-------|---------------|------------|

**DIMENSIONS**

cm 75 x 35 x 44 h

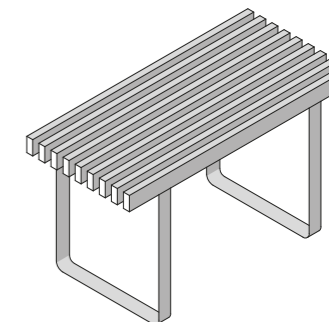
**MATERIALS**

316 stainless steel support

Seat in finish Iroko

**TOPKAPI 75 SEAT**

|       |               |            |
|-------|---------------|------------|
| Iroko | HA 65 10 0020 | € 3.010,00 |
|-------|---------------|------------|



# BENCH READY FOR THE COVERING OF CHOICE

## DIMENSIONS

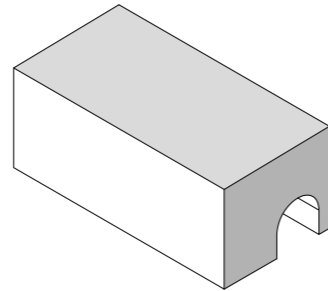
cm 49 x 100 x 42 h

## MATERIALS

EPS

### RECTANGULAR SECTION BENCH 1 MT

|            |               |          |
|------------|---------------|----------|
| Module 1 M | SV 31 00 0008 | € 305,00 |
|------------|---------------|----------|



## DIMENSIONS

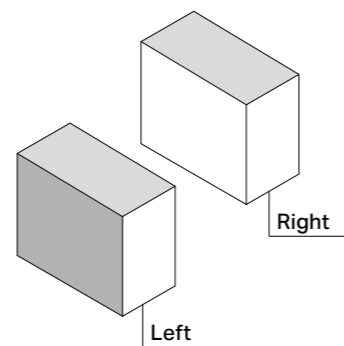
cm 49 x 25 x 42 h

## MATERIALS

EPS

### RECTANGULAR SECTION BENCH END COVER

|                |               |          |
|----------------|---------------|----------|
| End Cover R.H. | SV 31 00 0009 | € 220,00 |
| End Cover L.H. | SV 31 00 0024 | € 220,00 |



## DIMENSIONS

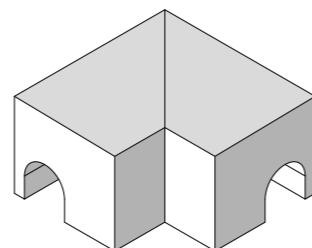
cm 75+75 x 49 x 42 h

## MATERIALS

EPS

### RECTANGULAR SECTION CORNER BENCH

|           |               |          |
|-----------|---------------|----------|
| Corner 75 | SV 31 00 0010 | € 615,00 |
|-----------|---------------|----------|



# BENCH READY FOR THE COVERING OF CHOICE

With under-bench led lighting predisposition\*

## DIMENSIONS

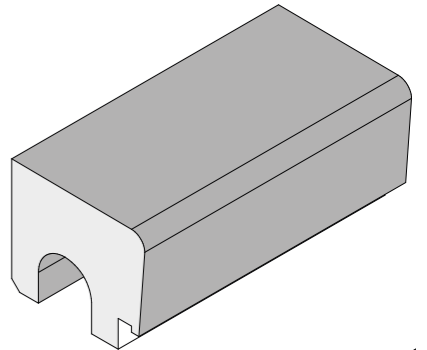
cm 49 x 100 x 42 h

## MATERIALS

EPS

### ROUNDED SECTION BENCH 1 MT

|            |               |          |
|------------|---------------|----------|
| Module 1 M | SV 31 00 0262 | € 350,00 |
|------------|---------------|----------|



## DIMENSIONS

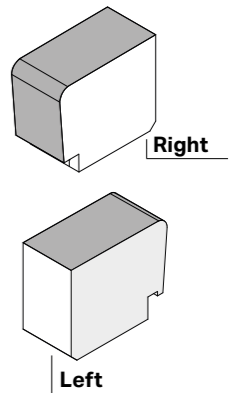
cm 49 x 25 x 42 h

## MATERIALS

EPS

### ROUNDED SECTION BENCH END COVER

|              |               |          |
|--------------|---------------|----------|
| End Cover RH | SV 31 00 0263 | € 255,00 |
| End Cover LH | SV 31 00 0264 | € 255,00 |



## DIMENSIONS

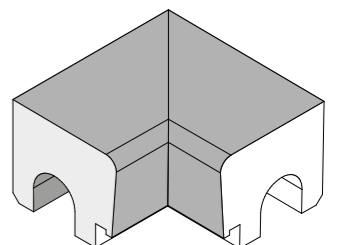
cm 75+75 x 49 x 42 h

## MATERIALS

EPS

### ROUNDED SECTION CORNER BENCH

|          |               |          |
|----------|---------------|----------|
| Cover 75 | SV 31 00 0265 | € 650,00 |
|----------|---------------|----------|



\*MOOD LIGHT  
Under-bench LED lighting  
[see on page <73>](#)

# BENCH READY FOR THE COVERING OF CHOICE

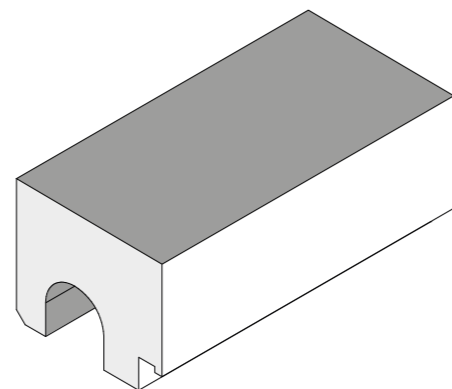
With under-bench led lighting predisposition\*

**DIMENSIONS**  
cm 49 x 100 x 42 h

**MATERIALS**  
EPS

## RECTANGULAR SECTION BENCH 1 MT

|            |               |          |
|------------|---------------|----------|
| Module 1 M | SV 31 00 0257 | € 350,00 |
|------------|---------------|----------|

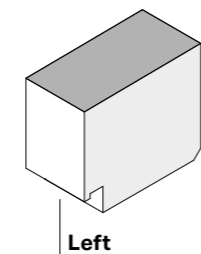
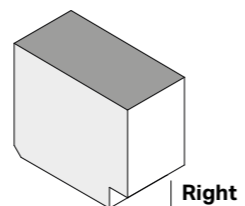


**DIMENSIONS**  
cm 49 x 25 x 42 h

**MATERIALS**  
EPS

## RECTANGULAR SECTION BENCH END COVER

|              |               |          |
|--------------|---------------|----------|
| End Cover RH | SV 31 00 0258 | € 255,00 |
| End Cover LH | SV 31 00 0259 | € 255,00 |

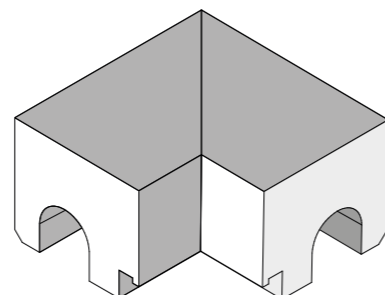


**DIMENSIONS**  
cm 75+75 x 49 x 42 h

**MATERIALS**  
EPS

## RECTANGULAR SECTION CORNER BENCH

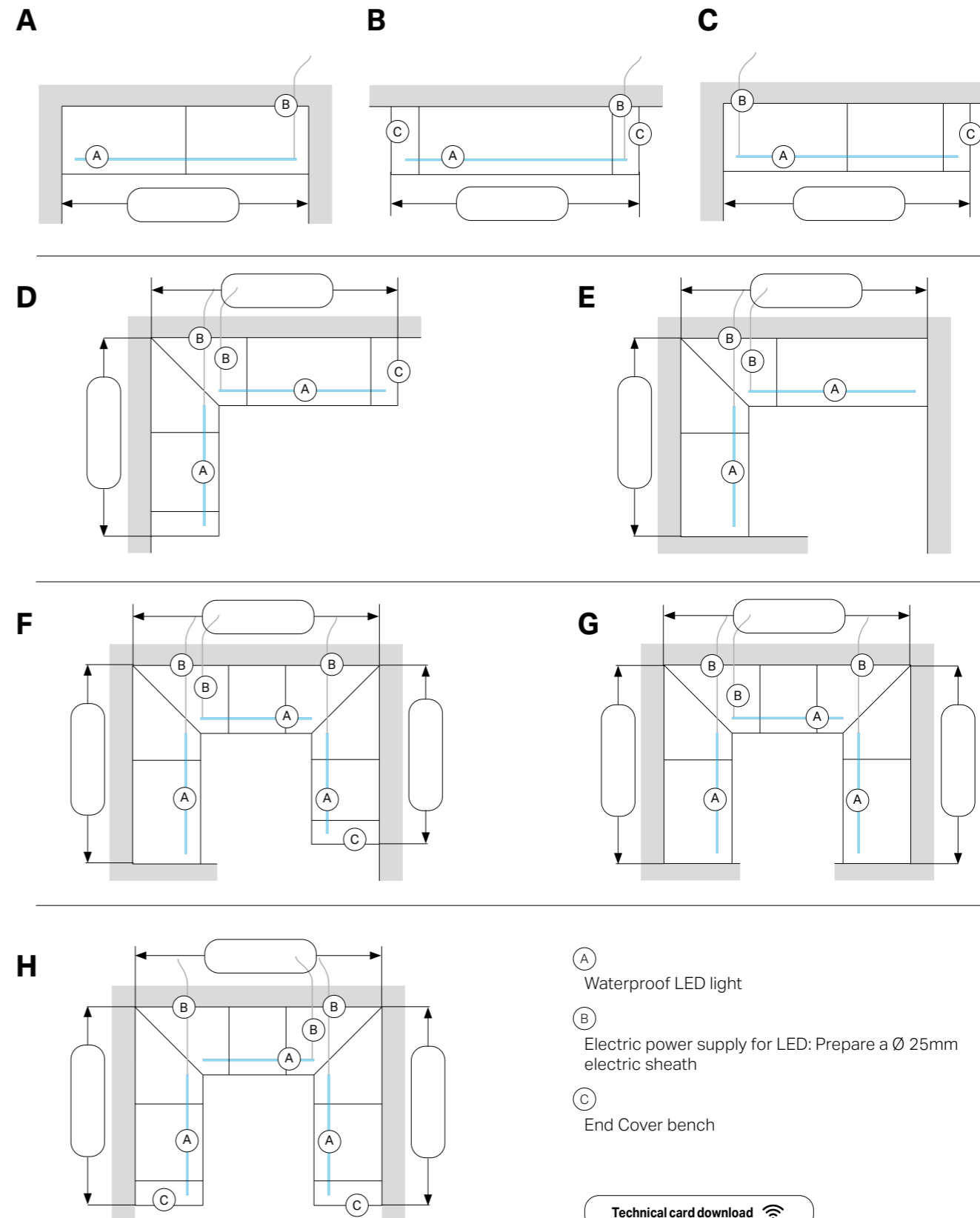
|          |               |          |
|----------|---------------|----------|
| Cover 75 | SV 31 00 0260 | € 650,00 |
|----------|---------------|----------|



\*MOOD LIGHT  
Under-bench LED lighting  
[see on page <73>](#)

# LAYOUTS FOR MEASURES MOOD LIGHT

Formats



Technical card download

# Accessories




## KNEIPP SHOWER HOSE

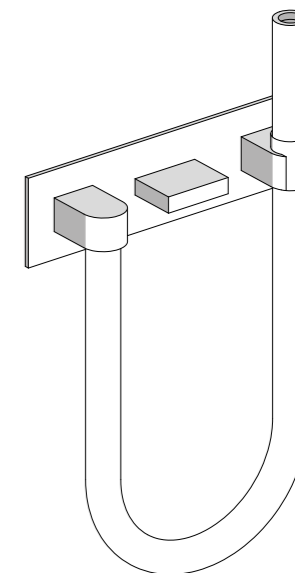
### FEATURES

White water hose with stop valve, bracket and water supply connection, chrome.

#### KNEIPP SHOWER HOSE

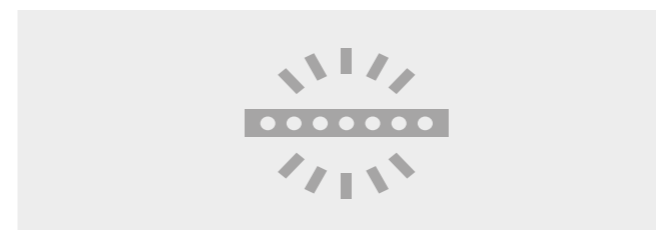
|                        |               |                   |
|------------------------|---------------|-------------------|
| Flush-mounted part     | CH 90 00 0195 | € 155,00          |
| External part and hose | CH 55 00 0190 | € 910,00          |
| <b>Total Price</b>     |               | <b>€ 1.065,00</b> |

[Technical card download](#) 



## ACCESSORIES FOR BENCHES READY FOR THE COVERING OF CHOICE

\*MOOD LIGHT UNDER-BENCH LED LIGHTING

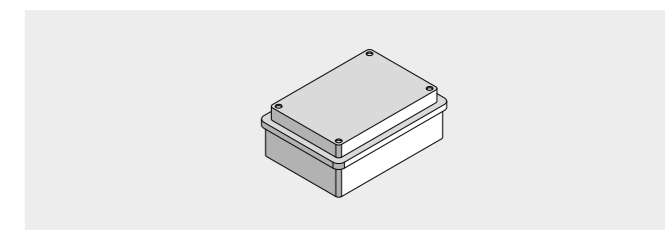


### Mood light hamam

Waterproof LED mood light, warm white, under-bench installation. 24 volt / 10 w/m / 3.000 K

AE 20 00 0XXX

€/ml 410,00



### Mood light control module

Complete with 220-24V power supply for controlling LED lighting. Max LED lighting length 7 metres. Touch&Steam Smart, Easystem Smart, Inside, Nuvola Smart.

ME 99 00 0548

€ 549,00

**NOTES**

Effe reserves the right to amend the features and prices of the products without any notice. Total or partial reproduction of text or illustrations of this price list is prohibited and is subject to legal sanctions.

**FREIGHT**

For shipments of taxable amounts of less than € 400,00 there will be a fixed charge of € 40,00.

**THIS PRICE LIST REPLACES AND CANCELS THE PREVIOUS ONES**

**GENERAL TERMS AND CONDITION OF SALE**

**1 – CONTRACT AND ORDERS.** These General Terms and Conditions of Sale shall apply to any and all business transactions and all future orders made by the Purchaser To Effegibi S.r.l. (The Company), even if these General Conditions are not expressly referred to, mentioned or expressly accepted by the Purchaser, and shall supersede any terms and conditions of the Purchaser, also in the case of a leasing company being involved. In any event receipt of goods, will express means acceptance of these General Terms and Conditions. All offers and quotations made by the Company are not binding until orders by the Purchaser have been accepted in writing by the Company, and the project has been signed. The Company's confirmation involving changes or additions to the order shall be deemed accepted by the Purchaser if no request of variation is sent by the Purchaser within days 15 of receipt of the variation. The Company is allowed to refuse new modifications after the expiration of the said deadline. Once a purchase order has been accepted by the Company, the Purchaser may not cancel it without the penalty for all costs incurred, including any damage and loss of profit. Prices are updated regularly, so If an order cannot be executed due to a delay caused by the Purchaser, prices will be updated. The Company reserves the right to request compensation if the location of installation is not suitable for installing the product, as per the pre-installation form provided, for reasons attributable to the purchaser.

**2 - SPECIFIC REQUIREMENTS.** The goods fulfill the general safety law legislation. It is the Purchaser's responsibility, before concluding the purchase, to verify that the location for installation is adequate, that the products are suitable for the use for which they intend to buy them and comply with the legislation of the country where they intend to use them.

**3 – PACKING, DELIVERY AND FORCE MAJEURE** Unless agreed otherwise, goods shall be delivered to the Purchaser in accordance with the Incoterms ICC rule 2020, Ex-Works (EXW) for any domestic purchase, and FCA for any international purchase, at Effegibi, Via Aldo Capitini,8, Mercato Saraceno (FC). Purchaser must clear the goods for export, bear any costs, and must load them. The Purchaser agrees to bear and comply with all applicable import and export control laws and regulations now or hereafter in effect. Packaging is borne by the Purchaser, it is billed at cost and it is non-returnable. The goods are the Purchaser's responsibility from the moment of the delivery even if the goods are collected by a carrier at the Company premises, even if sold free of carriage, or even if the Company bears the transport costs. In case of transport organized by the Company, at the time of receipt of the products, the Purchaser will have the duty to report any faults and defects which may have occurred during transport, by placing the receipt with reservation, in writing on the transport document, and inform the Company, by sending copy of the aforementioned document by fax or e-mail, no later than 5 (five) days from receipt of the products. Failing this, the Company will not be responsible for any damage to the products during transport, even if the same is carried out with full or partial risk on the latter. All delivery dates quoted are estimated, not guaranteed, do not form a term of this contract, and delivery date starts when all details and all the technical data is agreed, and on condition that the Purchaser has made the agreed payments on time. In case of delayed delivery of the products, the Purchaser will never have the right to cancel the order, revoke the acceptance of the offer or terminate the contract of sale and, except in cases of willful misconduct or gross negligence, the Company will not be obliged to pay the Purchaser any indemnity or compensation for any direct or indirect damage due to delay of delivery. The delivery term is extended in case of any delay, impediment or prevention attributable to the Client, or the Client's personnel, in case of technical difficulties, and when force majeure applies, such as any circumstances out the Company control (strikes, lockouts, war, fires, floods, delayed deliveries from sub-contractors, etc). In case of force majeure circumstances remain in force more than four (4) months each party shall have the right to cancel non-executed part of the Contract without compensation of any possible losses to the Supplier. In case of a situation of force majeure at the moment the contract is signed, the Purchaser cannot cancel the contract nor ask for compensation of any possible losses. Partial deliveries shall always be accepted, and therefore a delayed partial delivery, not preventing the use of the product, does not constitute a breach, as well as any delay related to the delivery. Delivery is considered completed when the Company informs the Purchaser that the goods are ready to be collected. From that date, all risks, costs, custody, maintenance and insurance, etc, are borne by the Purchaser. In case of delivery delay due to the Purchaser, the Purchaser shall pay € 30.00/day for the storage.

**4 – TEST ON COMPLETION.** Acceptance testing shall take place at the Company premises with its own technical procedures within 14 working days from the delivery. The Purchaser's attendance must be agreed upon in writing at least 5 days before. In any case, if the Purchaser does not attend the acceptance testing, or if it is agreed that he will provide for the test but he does not within the same term of 7 days, the tests on completion shall be deemed to have been made with positive result and the product fully accepted by the Purchaser.

**5 – PRICES, PAYMENT AND TERMINATION.** Price quotations are always net, on an Ex Works basis, Incoterms ICC rule, exclusive of VAT, taxes, packaging, disassembly, insurance and costs of every kind. In the event that the Purchaser is in breach of these Terms and Conditions or any agreements between the parties, also if a leasing company is involved, or it goes into bankruptcy or liquidation either voluntary or compulsory or if a receiver is appointed in respect to the whole or any part of its assets or is insolvent or his credit rate deteriorates, the Com-

pany is entitled to: (I) withhold future deliveries; and/or (II) in case of delay of payment, apply default interests in compliance with art. 5 Italian Legislative Decree n. 192/2012, and on Dir. 2011/7/UE and further updating; (III) suspend the fulfillment of his own obligations or suspend the functional effects of the goods with no liability in respect of any damages suffered by the Purchaser or any third party; (IV) take possession of the goods, wherever located, and remove the same, without a legal process or Purchaser authorization, at Purchaser's expense; (V) waive discounts and any payment installments agreed and immediately seek the total amount due; and/or vi) keep the deposits and installments received as partial compensation, and reserve any right to seek damages. Without prejudice to the generality of the foregoing provisions, the Company shall not in any event be liable to the Purchaser for any indirect or consequential loss or damage. In any case the Purchaser shall not raise any question regarding the delivery of the goods until the balance is received by the Company. The Company can never be held responsible for claims or compensation for any amount exceeding the price of products, even in the event of resale of the goods to resellers or third parties. The Purchaser warrants that it or any person or entity which owns or controls, directly or indirectly, the Purchaser, or any of their directors, officers, employees: (I) is a target of any sanctions, export control, or import laws, or other regulations which are imposed from time to time by the EU, Switzerland, the United States, the United Kingdom, the United Nations (the "Sanctions"); (II) is not any entity 50% or more owned or any entity which is controlled, directly or indirectly, by one or more of the persons or entities in paragraph (I); (III) will not take any actions that cause it to become a target of any Sanctions, but if the Buyer becomes or expects to become target of any Sanctions, the Buyer must immediately notify the Seller. The Seller will be entitled to suspend or terminate at any moment with immediate effect the Contract if: (I) the Seller is prevented from exporting the Equipment (or parts thereof) due to any Sanctions, or (II) the Buyer or any person or entity which owns or controls, directly or indirectly, the Buyer, or any of their directors, officers, employees will become a target of any Sanctions and/or will violate any Sanctions. In all these cases the Purchaser will not be entitled to claim any compensation or damages whatsoever and it is under the Purchaser obligations to check if there is any sanction in place at the date of the signature of this agreement.

**6 – WARRANTY AND DISCLAIMER.** Warranty is guarantee only in the Country where the delivery of the item take place, and any discrepancy has to be communicated to the Company who will price the items accordingly; in any event the assistance in a Country different from the Country where the items have been delivered will be bear by the Purchaser. Company guarantees that all products shall remain free from defects in material and workmanship for a period of 24 months from date of delivery to the final Customer, as per the documentation that will be issued to the same by the Purchaser, provided that: (I) the Company receives written detailed notice of any non-conformance or defect in the goods within 8 days of receipt of the goods by the Purchaser, with registered letter, or, where the defect is not apparent on inspection upon delivery, within 8 days from the date such non conformance or defect is first discovered; and (II); the goods are installed and maintained in strict accordance with the Company's instructions and defects are not caused by Purchaser's personnel or collaborators or from inexperience, negligence or imprudence in the management of the product, not in accordance with the instruction given by the Company; and (III) such defect shall be deemed to the Company's satisfaction to be the sole responsibility of the Company; and (IV) force majeure does not apply; and (V) the Purchaser has paid in full; and (VI) the Purchaser has not used any unauthorized substances or essences or altered the product in any way; and (VII) no third party has been involved; and vii) such defect does not arise from ordinary wear and tear; (VIII) in any case the time limit to start a related proceeding must be within 24 months from the date of delivery. The above guarantee shall be limited to, at the option of the Company, and to the exclusion of any costs, either replacing, repairing or issuing credit. No exception to the time-limit applies, nor waiver applies, if the Company inspects the goods after the said term sub (I) and/or sub (VIII) has expired. If the goods have been purchased by a third party, the third party warranty will be directly transferred to the Purchaser. Any other liability of the Company, such as, for example, liability for direct, indirect or consequential damages, loss of profit, etc., is expressly excluded. All defective parts or parts to be replaced must be sent to the Company together with the clear motivation and notification of the defect, at the expense of the Purchaser, and remain the property of the Company. The costs for the assembly and disassembly of the parts to be repaired and / or replaced, as well as those for packing and shipping the repaired or replaced parts, shall be borne by the Purchaser. The Company shall not be liable for any defect arising from any design, specification or information supplied by or requested by the Purchaser. The Purchaser accepts the most detailed guarantee of content which will be provided together with the product. The Parties agree that the product are compliant with the standards of EU legislation. The Purchaser expressly accept that any non-compliance with internal regulations or standard, such as DIN or Onorm or others, does not constitute a defect of the items.

**7 –RETENTION OF TITLE.** The ownership of the goods will not pass from the Company to the Purchaser until the Purchaser has fully paid for the goods, including possible interest or other fees incurred due to overdue payment. The Purchaser can use the goods, but until the goods have been paid in full, the goods must be stored separately from goods belonging to third parties; labeled as the Company's property; the Purchaser must allow the Company access to his premises to verify that the obligations are being complied with or to repossess the goods in case of breach of contract. Should the Purchaser resell the Products before completing payment to the Company, the Purchaser shall hold as trustee for the Company all monies recovered from the sale of the goods. If the Purchaser has incorporated the goods into other articles, upon request of the Company and at its own expenses, shall separate the goods and redeliver them to the Company. In case of outstanding payments, or in the case where the Purchaser goes into bankruptcy or liquidation either voluntary or compulsory or if a receiver is appointed in respect to the whole or any part of its assets or is insolvent or his credit rate deteriorates, the Company has the right to: (I) enter the Purchaser's premises to repossess the goods, as well as third parties premises if the goods have been sold, without Purchaser permission or without notification; and (II) take any legal action, to keep any deposit received as partial payment and to seek damages. If the law of the country where the goods are located after delivery does not permit the Company to repossess the property, the Company shall be entitled to the benefit of such other rights in respect thereof as such law permits. The Purchaser shall give every assistance in taking any measures required to protect the Company's right of property or such other rights as aforesaid.

**8 - LIEN.** Without prejudice of the retention of title clause n. 7, the Company shall have a general lien in respect of all sums due from the Purchaser upon all products to be supplied to the Purchaser or upon which work has been undertaken on the Purchaser's behalf and, upon

14 days written notice to the Purchaser, may sell such products and apply the proceeds towards the satisfaction of any sums due to the Company from the Purchaser. The Company has also the right to register lien on the goods and the Purchaser shall take any necessary step, otherwise the Agreement will be terminated.

**9 –INTELLECTUAL PROPERTY.** Any and all inventions, patent applications, patents, copyrights, trademarks and trade names, trade secrets, and information embodying proprietary data existing and owned by the Company as of the date of the order or made or conceived by employees, consultants, representatives or agents of the Company during the term of this Agreement, shall be and remain the sole and exclusive property of the Company. Purchaser shall have no rights therein. The Company reserve the right to change, at anytime, trademark, product details, and any of his distinguishing signs or product's details.

**10 – CONFIDENTIALY.** The Purchaser undertakes to treat with the utmost confidentiality all the information/data/designs/know-how/ documentation transmitted by the Company or that it may come to know in connection with the execution of any sale contract, even if they is not marked or identified as secret or confidential, to adopt any and all measures required in order for its employees and collaborators do not disclose the confidential information to third parties or use it in an inappropriate way. The confidential information shall not be copied or reproduced in any way, unless with the prior written consent of the Company, and all the copies of the confidential information shall be immediately returned to the Company upon simple written request of the same.

**11. SEVERANCE AND WAIVER.** If one or more clauses of these conditions is considered to be null or void according to the applicable law, the remaining clauses shall remain in force and the Parties agree to fulfil any lawful reciprocal obligation which might pursue the same objective of the clause or clauses which have been declared null and void The failure to exercise or delay in exercising a right or remedy provided by this General Terms and Conditions or by law does not constitute a waiver of the right or remedy or a waiver of other rights or remedies. No single or partial exercise of a right or remedy shall prevent any further exercise of the right or remedy or the exercise of any other right or remedy.

**12 – GOVERNING LAW AND JURISDICTION.** Any dispute or claim arising out of or in connection with these GTCS or subject matter shall be irrevocably governed and construed in accordance with the exclusive law of Italy specifically to the exclusive jurisdiction of the Courts of Forlì, Italy. To the extent allowed by law the Company may take concurrent proceedings in any number of jurisdictions.

**13 - PERSONAL DATA.** With reference to the Data Protection law, the personal data processing is performed in full respect of the Purchaser rights, fundamental freedom and dignity and is aimed at fulfilling accounting and administrative legal obligations. For this reason, the processing has its own legal basis in the execution of the contract and legal obligations. The Parties herewith declare to have received in full all information in accordance with art. 13 of Reg. (EU) 679/16 and give consent to the processing of personal data and the data of the Company they represent.

**14 - COMMUNICATIONS.** Any notice or other communication is considered valid and binding when sent to the parties at their respective e-mail addresses as stated in the order or in their web-sites.

**15 - WARNING -** Certain products include electronic components whose correct operation can be verified remotely through the voluntary installation of a dedicated app by the user of the product. The information in the app indicates how the data collected is processed. Following the installation, the Company and the electronic component Producer will be able to remotely verify the use of the product, as well when datas are collected for product analysis purposes. If the Client is a Reseller, in any event, he undertakes to inform the final Client about the aforementioned app and ensure the Company's GTC of sale are accepted.



